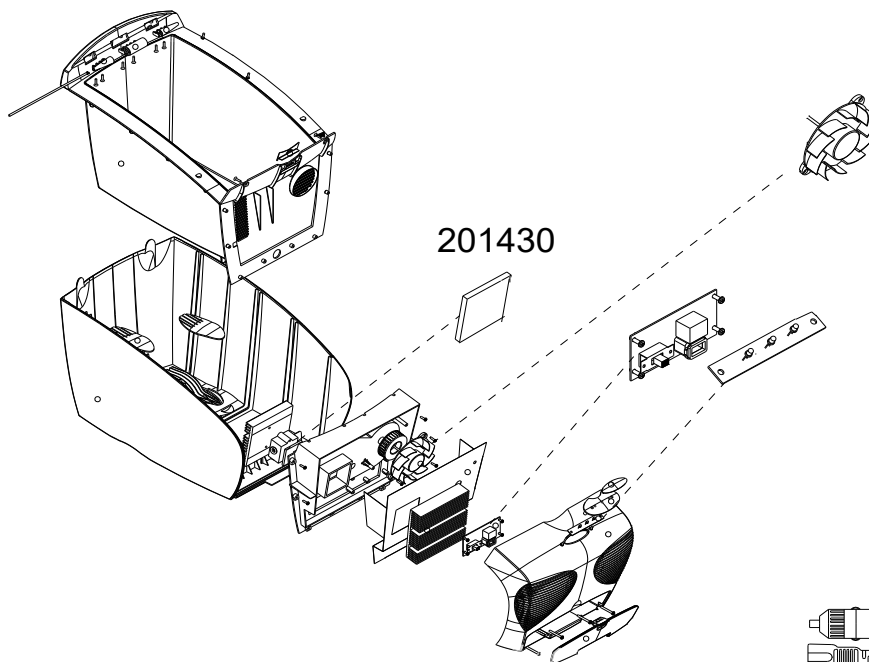
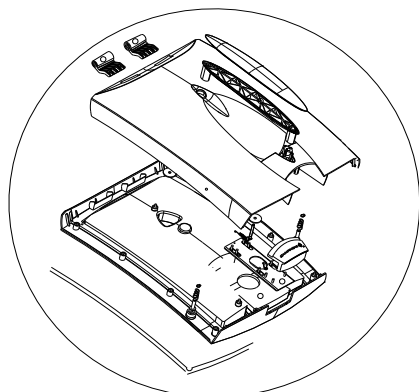


**CAR COOLER TECC 18
GLACIERE THERMO-ELECTRIQUE
VOITURE 18 L**



201332

201430

67953

SPARE PARTS REF.	EN DESCRIPTIONS	FR DESCRIPTIONS
67953	POWER CORD - 12 VOLTS	CORDON 12 VOLTS
201332	CONVERTER 230V/12V	TRANSFORMATEUR 230V/12V
201430	THERMO ELECTRIC ELEMENT	ELEMENT THERMO-ELECTRIQUE