

**THERMO-ELECTRIC COOLERS :
GLACIERES THERMO-ELECTRIQUES :
POWERBOX 24 L / 28 L CLASSIC
- AP & COMFORT**



CLASSIC



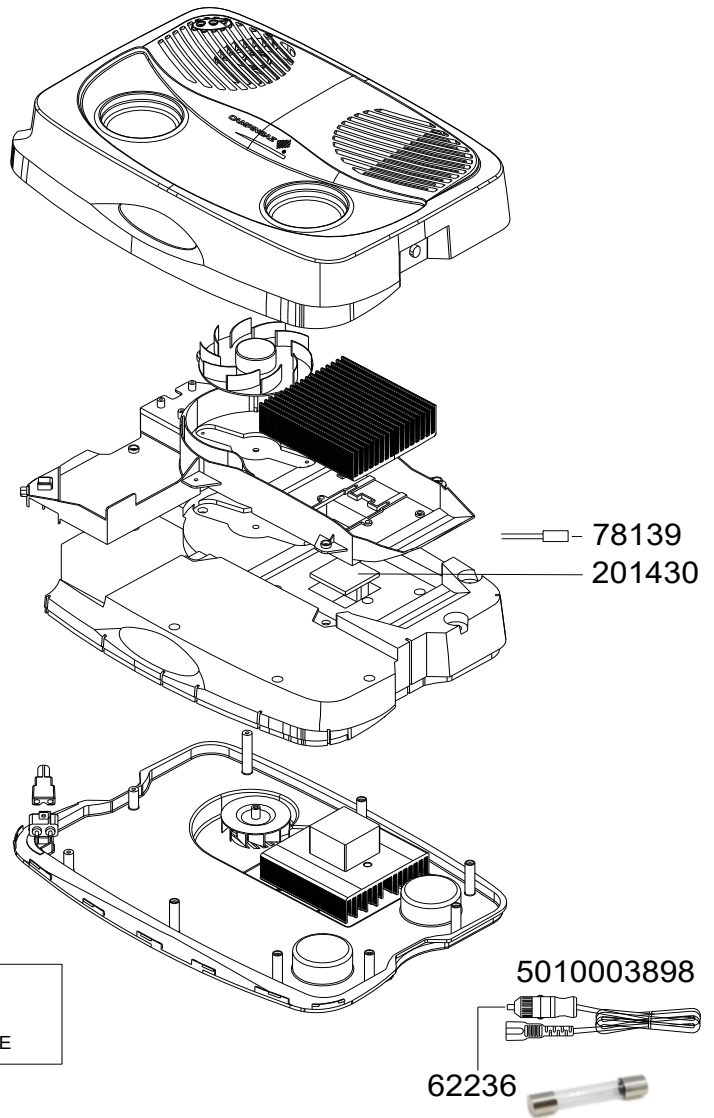
201332



AP



COMFORT



70316ZCL
GREASE COMPOUD
GRAISSE THERMOCONDUCTRICE

62236



5010003898

SPARE PARTS REF.	POINTS	EN DESCRIPTIONS	FR DESCRIPTIONS	CLASSIC - COMFORT	CLASSIC AP
62236	30	FUSE (X2) 7A/250V (6x30 mm)	FUSIBLE (X2) 7A/250V (6x30 mm)	X	X
70316ZCL	80	THERMAL JOINT COMPOUND	GRAISSE THERMO-CONDUCTRICE	X	X
78139	70	THERMAL FUSE	THERMOFUSIBLE	X	X
201332	260	CONVERTER 230V/12V	TRANSFORMATEUR 230V/12V	X	X
201430	325	THERMO ELECTRIC ELEMENT	ELEMENT THERMO-ELECTRIQUE	X	X
5010003898	120	POWER CORD 12V	CORDON D'ALIMENTATION 12V	X	X