

BARBECUES : PLANCHA BF
EXB - EXL + - EXLD - OTHELLO 2 EX

CAMPINGGAZ®



PLANCHA BF EXB



PLANCHA BF EXL +

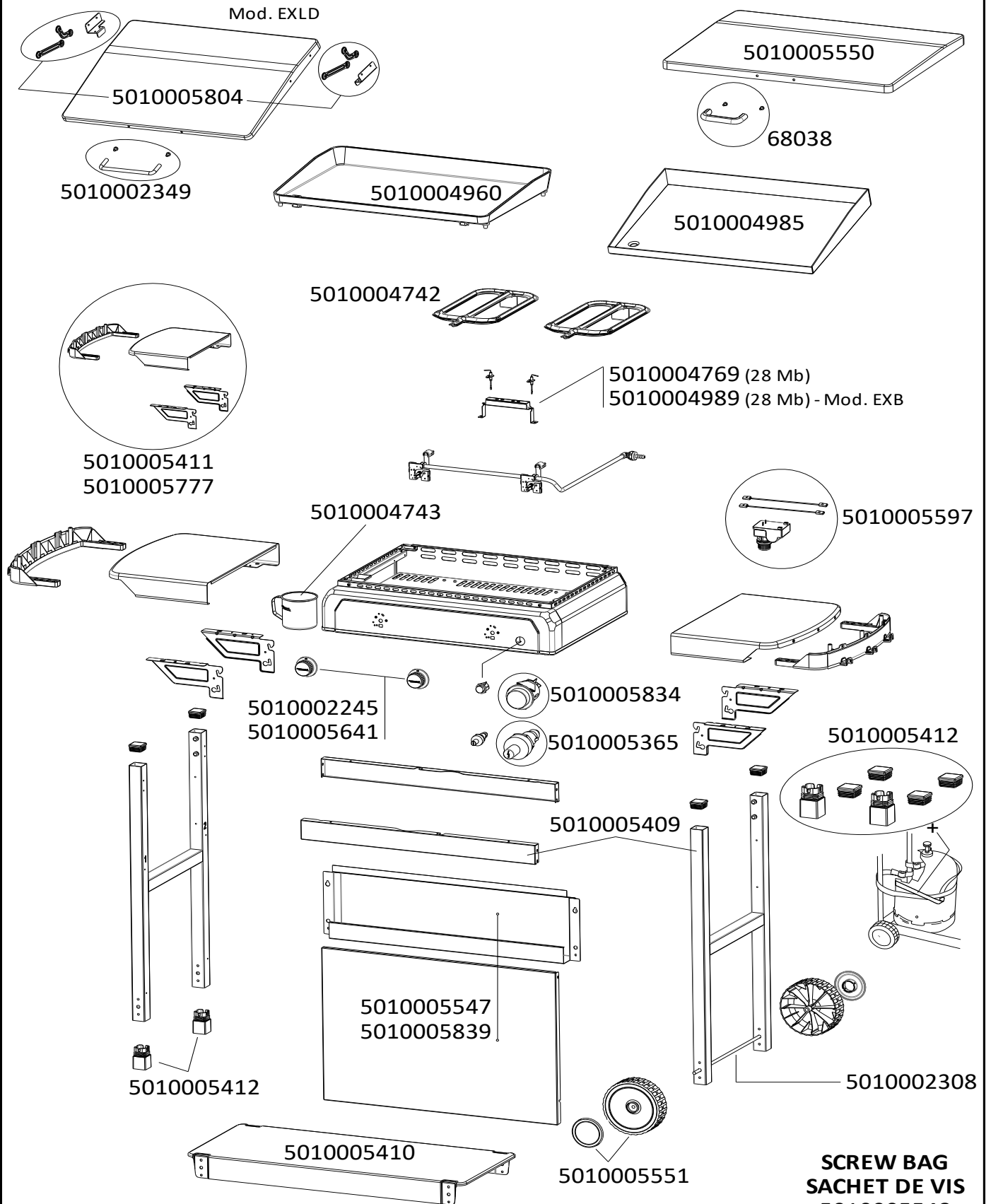


PLANCHA BF EXLD



OTHELLO 2 EX

BARBECUES : PLANCHA BF
EXB - EXL + - EXLD - OTHELLO 2 EX



BARBECUES : PLANCHA BF

EXB - EXL + - EXLD - OTHELLO 2 EX



SPARE PARTS REF.	POINTS	EN DESCRIPTIONS	FR DESCRIPTIONS	PLANCHA BF EXB	PLANCHA BF EXL +	PLANCHA BF EXLD	PLANCHA OTHELLO 2 EX
68038	60	LID HANDLE + SCREWS	POIGNEE COUVERCLE + VIS		X	X	
5010002245	50	CHROMED KNOB (x2)	VOLANT CHROME (x2)	X	X	X	
5010002308	30	WHEEL AXLE	AXE DE ROUE	X	X	X	X
5010002349	60	LID HANDLE + SCREWS	POIGNEE COUVERCLE + VIS			X	
5010004742	100	STAINLESS STEEL BURNER 28MB AND 50MB	BRULEUR INOX 28MB ET 50MB	X	X	X	X
5010004743	50	GREASE CAN	POT A GRAISSE	X	X	X	X
5010004769	70	ELECTRODES + HOUSING 28 Mb	ELECTRODES + SUPPORT 28 Mb		X	X	X
5010004960	500	ENAMELLED CAST IRON GRIDDLE	PLAQUE FONTE EMAILLEE		X	X	X
5010004985	350	ENAMELLED STEEL GRIDDLE	PLAQUE ACIER EMAILLE	X			
5010004989	60	ELECTRODES + HOUSING 28 Mb	ELECTRODES + SUPPORT 28 Mb	X			
5010005365	50	PIEZO DOUBLE	PIEZO DOUBLE	X			
5010005409	140	LEFT OR RIGHT TROLLEY TUBE + FIREBOX SUPPORT (X1)	TUBES GAUCHE OU DROITE CHARIOT + SUPPORT CUVE (X1)	X	X	X	X
5010005410	110	CANISTER SUPPORT	SUPPORT DE RESERVOIR	X	X	X	X
5010005411	140	RIGHT OR LEFT SHELF (LIGHT GREY) + BRACKETS	ETAGERE GAUCHE OU DROITE (GRIS CLAIR) + SUPPORTS ETAGERE	X	X		X
5010005412	50	TROLLEY PLASTIC PARTS (4 CAPS + 2 BOTTOM LEGS) + CYLINDER STRAP	PIECES PLASTIQUES POUR CHARIOT (4 BOUCHONS + 2 PIEDS) + SANGLE	X	X	X	X
5010005547	200	FRONT SHEETS (TOP+BOTTOM) - LIGHT GREY	JUPES TOLE (HAUT+BAS) - GRIS CLAIR	X	X		X
5010005548	50	SCREW BAG	SACHET DE VIS	X	X	X	X
5010005550	180	BLACK LID WITHOUT HANDLE	COUVERCLE NOIR SANS POIGNEE		X		
5010005551	50	WHEEL DIAMETER 160 (X 1) WITH CHROMED CAP	ROUE DIAMETRE 160 (X 1) AVEC ENJOLIVEUR CHROME	X	X	X	X
5010005597	180	ELECTRONIC IGNITION SET (2/4 OUTLETS) WITH CONNECTION WIRES	KIT ALLUMAGE ELECTRONIQUE (2/4 SORTIES) AVEC CABLES DE CONNECTIONS	X	X	X	X
5010005641	50	LIGHT GREY KNOB (x3)	VOLANT GRIS CLAIR (x3)				X
5010005777	150	RIGHT OR LEFT SHELF (DARK GREY) + BRACKETS	ETAGERE GAUCHE OU DROITE (GRIS FONCE) + SUPPORTS ETAGERE			X	
5010005804	340	BLACK LID WITH HANDLE, CONNECTING RODS AND BRACKETS	COUVERCLE NOIR AVEC POIGNEE, BIELLETES ET SUPPORTS			X	
5010005834	40	PUSH BUTTON ELECTRONIC IGNITOR	BOUTTON POUSSOIR TRAIN D'ETINCELLES		X	X	X
5010005839	190	FRONT SHEETS (TOP+BOTTOM) - LIGHT GREY	JUPES TOLE (HAUT+BAS) - GRIS CLAIR			X	