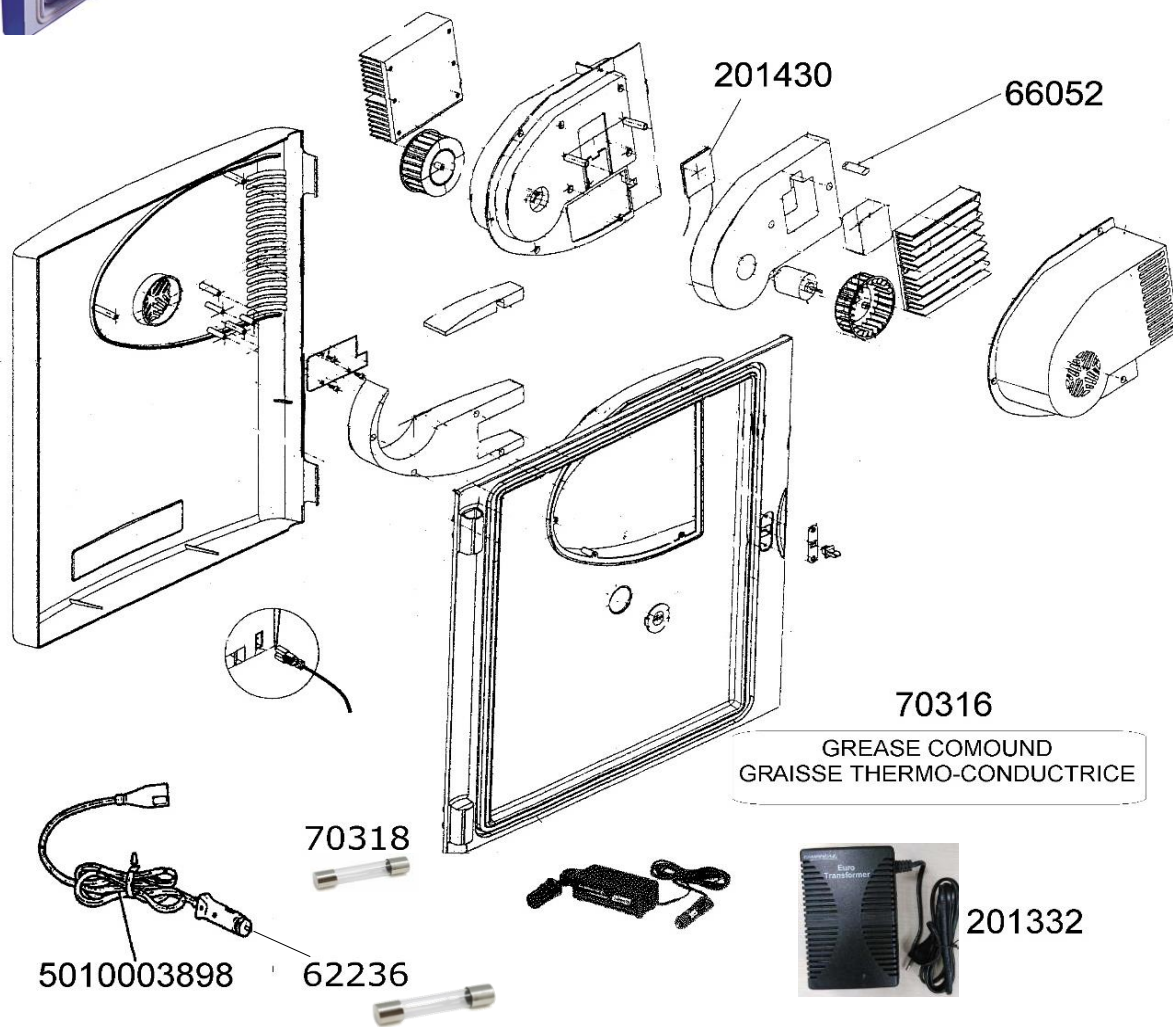


**SUPER POWERCHILL COOLER TE 36
& SUPER ICETIME TE 36
(Old Model / Ancien Modèle)**



SPARE PARTS REF.	POINTS	EN DESCRIPTIONS	FR DESCRIPTIONS
62236	30	FUSE (X2) 7A/250V (6x30 mm)	FUSIBLE (X2) 7A/250V (6x30 mm)
66052	90	THERMOSTAT	THERMOSTAT
70316	80	THERMAL JOINT COMPOUND	GRAISSE THERMO-CONDUCTRICE
70318	30	FUSE (x2) 7A/250V (5x20 mm)	FUSIBLE (x2) 7A/250V (5x20 mm)
201332	260	CONVERTER 230V/12V	TRANSFORMATEUR 230V/12V
201430	325	THERMO ELECTRIC ELEMENT	ELEMENT THERMO-ELECTRIQUE
5010003898	120	POWER CORD 12V	CORDON D'ALIMENTATION 12V