

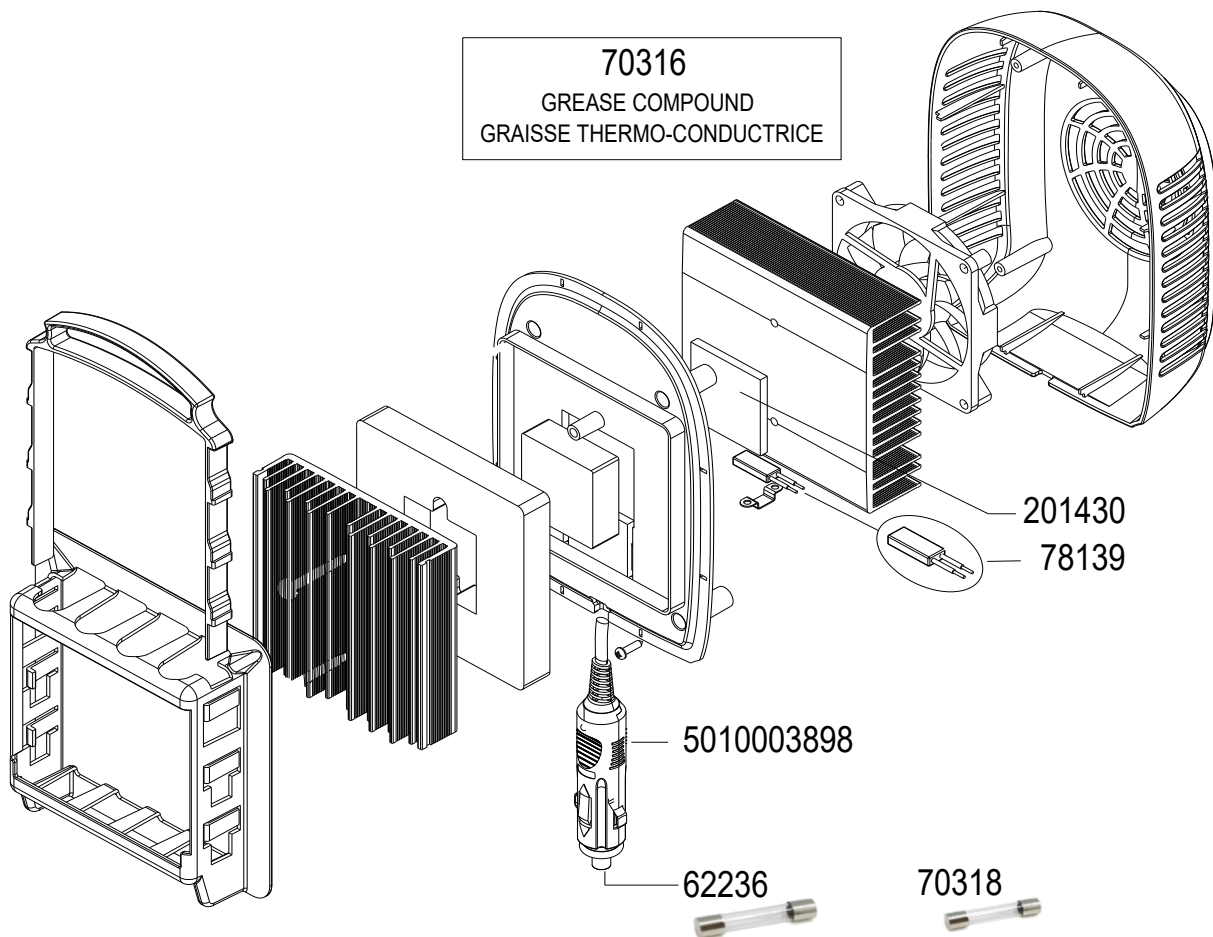
**THERMO-ELECTRIC COOLER /
GLACIERE THERMO-ELECTRIQUE :
SOFT COOLER 14 - 20 L &
SOFT COOLER TRAVEL 20 L**



SOFT COOLER 20 L & SOFT TRAVEL



SOFT COOLER 14 L



SPARE PARTS REF.	POINTS	EN DESCRIPTIONS	FR DESCRIPTIONS
62236	30	FUSE (X2) 7A/250V (6x30 mm)	FUSIBLE (X2) 7A/250V (6x30 mm)
70316	80	THERMAL JOINT COMPOUND	GRAISSE THERMO-CONDUCTRICE
70318	30	FUSE (x2) 7A/250V (5x20 mm)	FUSIBLE (x2) 7A/250V (5x20 mm)
78139	70	THERMAL FUZE	THERMOFUSIBLE
201430	325	THERMO ELECTRIC ELEMENT	ELEMENT THERMO-ELECTRIQUE
5010003898	120	POWER CORD 12V	CORDON D'ALIMENTATION 12V