

**THERMO-ELECTRIC COOLERS :  
GLACIERES THERMO-ELECTRIQUES :  
POWERBOX 36 L &  
SUPER POWERCHILL 36 L & 36 L CLASSIC**



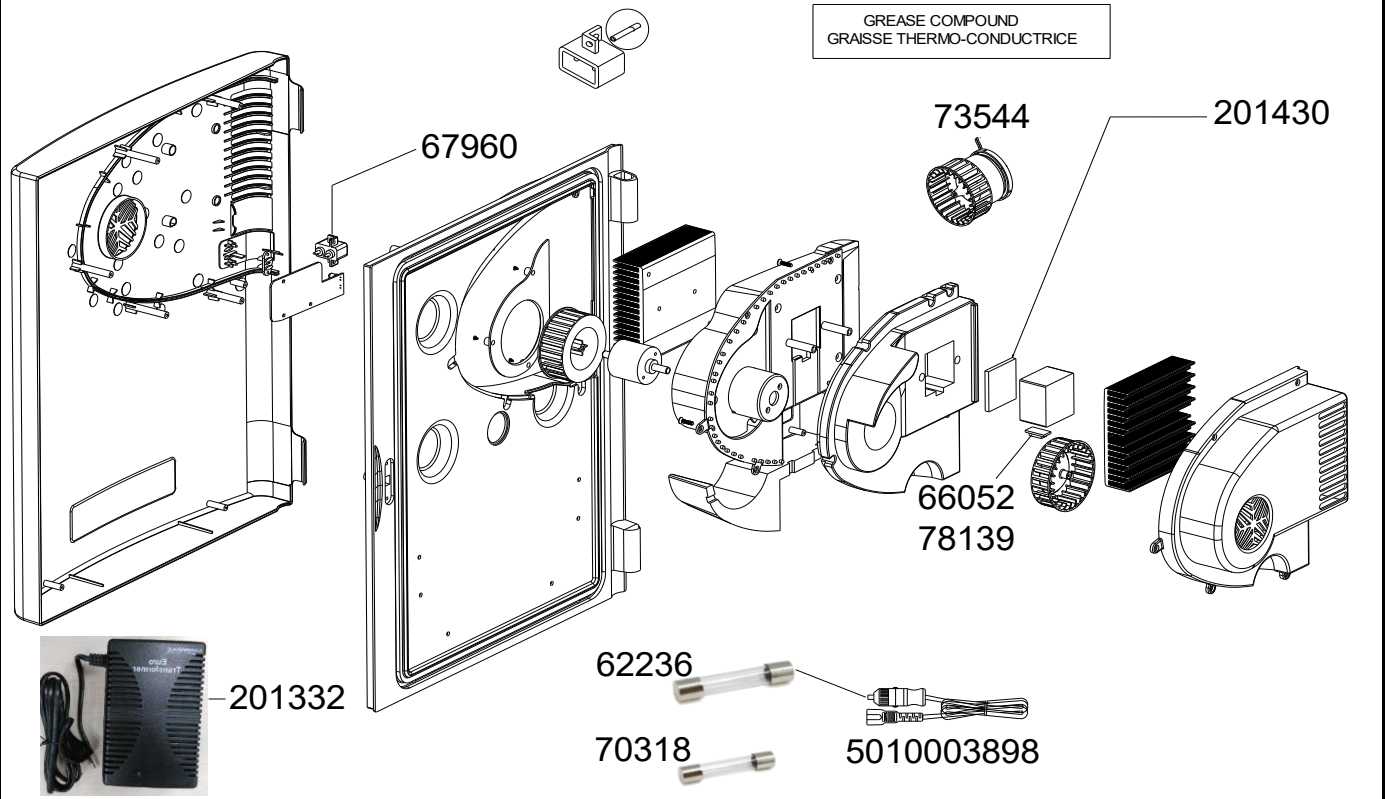
**POWERBOX**



**POWERCHILL**

**70316**

GREASE COMPOUND  
GRAISSE THERMO-CONDUCTRICE



SPARE PARTS REF.	POINTS	EN DESCRIPTIONS	FR DESCRIPTIONS	POWERBOX	POWERCHILL	CLASSIC
				X	X	X
62236	30	FUSE (X2) 7A/250V (6x30 mm)	FUSIBLE (X2) 7A/250V (6x30 mm)	X	X	X
66052	90	THERMOSTAT	THERMOSTAT	X	X	
67960	30	MALE PLUG	FICHE MALE			X
70316	80	THERMAL JOINT COMPOUND	GRAISSE THERMO-CONDUCTRICE	X	X	X
70318	30	FUSE (x2) 7A/250V (5x20 mm)	FUSIBLE (x2) 7A/250V (5x20 mm)	X	X	X
73544	195	BRUSHLESS MOTOR + PROPELLER (HOT)	MOTEUR + HELICE (CHAUD)	X	X	X
78139	70	THERMAL FUSE	THERMOFUSIBLE			X
201332	260	CONVERTER 230V/12V	TRANSFORMATEUR 230V/12V	X	X	X
201430	325	THERMO ELECTRIC ELEMENT	ELEMENT THERMO-ELECTRIQUE	X	X	X
5010003898	120	POWER CORD 12V	CORDON D'ALIMENTATION 12V	X	X	X