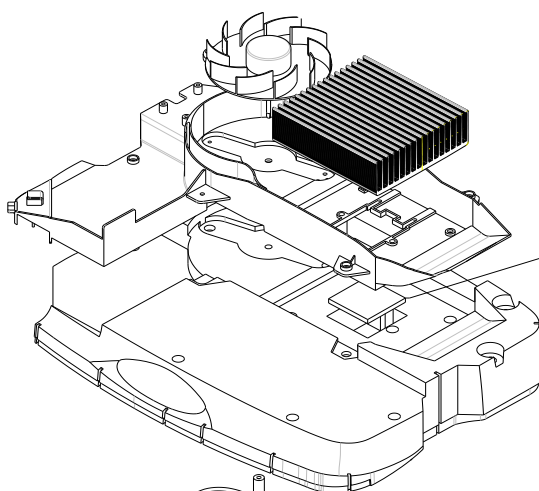


**THERMO-ELECTRIC COOLERS :
GLACIERES THERMO-ELECTRIQUES :
ACTIV'TRAVEL 24 L - 28 L**

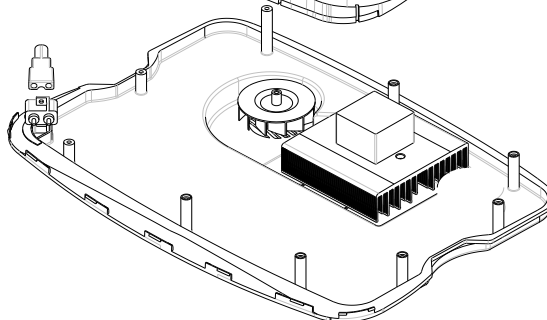


70316
GREASE COMPOUD
GRAISSE THERMOCONDUCTRICE

201430
78139



201332



5010003898

62236

70318

SPARE PARTS REF.	POINTS	EN DESCRIPTIONS	FR DESCRIPTIONS
62236	30	FUSE (X2) 7A/250V (6x30 mm)	FUSIBLE (X2) 7A/250V (6x30 mm)
70316	80	THERMAL JOINT COMPOUND	GRAISSE THERMO-CONDUCTRICE
70318	30	FUSE (x2) 7A/250V (5x20 mm)	FUSIBLE (x2) 7A/250V (5x20 mm)
78139	70	THERMAL FUSE	THERMOFUSIBLE
201332	260	CONVERTER 230V/12V	TRANSFORMATEUR 230V/12V
201430	325	THERMO ELECTRIC ELEMENT	ELEMENT THERMO-ELECTRIQUE
5010003898	120	POWER CORD 12V	CORDON D'ALIMENTATION 12V