

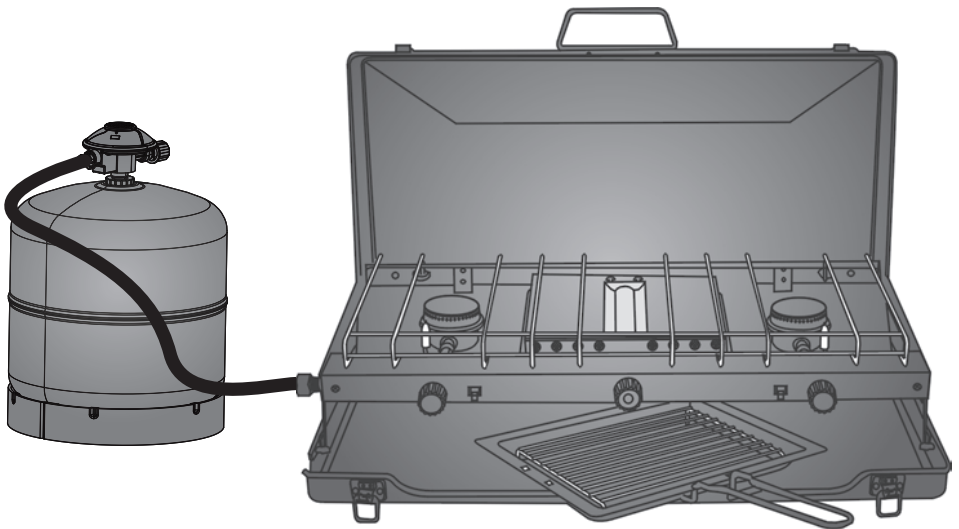
CAMPINGGAZ®

Camping Chef® Folding Elite Camping Chef® Folding Compact Camping Chef® Folding

⚠ WARNING

**FAILURE TO FOLLOW ALL
WARNINGS AND INSTRUCTIONS
IN THIS MANUAL COULD LEAD TO
PERSONAL INJURY, INCLUDING
DEATH.**

**RETAIN THIS MANUAL FOR FUTURE
REFERENCE.**



GAS CYLINDER/HOSE/REGULATOR NOT INCLUDED

MODEL: BBQ-136

NOTE: Following generic terms “appliance / unit / equipment / device” appeared in this instruction manual all refer to the product “Camping Chef® series Stoves”.

FOR YOUR SAFETY

If you smell gas:

- 1. Do not attempt to light appliance.**
- 2. Extinguish any open flame.**
- 3. Disconnect from fuel supply.**

FOR YOUR SAFETY

Do not store or use gasoline or other liquids with flammable vapors in the vicinity of this or any other appliance.

DANGER



CARBON MONOXIDE HAZARD

- **This appliance can produce carbon monoxide which has no odor.**
- **Using it in an enclosed space can kill you.**
- **Never use this appliance in an enclosed space such as a camper, tent, car or home.**

IMPORTANT SAFETY WARNINGS

WARNING

- **FOR OUTDOOR USE ONLY. DO NOT** operate indoors (house, tent, garage) or in any unventilated or enclosed area.
- All burning appliances consume oxygen. This stove uses oxygen from the air and may produce CO (Carbon Monoxide), which is a colorless, odorless gas that can kill you. Ample ventilation must be provided to avoid endangering your life. Be certain that the area in which this appliance is used is properly ventilated at all times.
- **DO NOT** use as a space heater.
- **DO NOT** leave stove unattended when hot or in use. Only adults are to operate this stove; keep children and pets safely away. Carefully monitor all activity around stove to avoid burns or other injuries.
- Read the instructions before using the appliance.
- Warning: Accessible parts may be very hot. Keep young children away.
- Turn off the gas supply at the gas cylinder after use.

WARNING

- **DO NOT** operate stove within 90 cm from any combustible material including walls and ceiling.
- **DO NOT** use on/in apartment complex balconies or patios, recreational vehicles, campers or boats.
- Propane/Butane gas is extremely flammable, follow these instructions:
 - **DO NOT** store or use gasoline or other liquids/aerosols with flammable vapors in the vicinity of this appliance.
 - Always attach or detach Propane/Butane cylinder outdoors away from flame, pilot lights or other sources of ignition and only when appliance is cool to touch.
 - **DO NOT** allow the gas hose to come into contact with any hot surfaces. Inspect the hose for damage such as burns, chafing, and kinks before each use.
 - Read and follow all warnings and instructions on or accompanying Propane/Butane gas.
 - Always inspect appliance, Propane/Butane cylinder, and its connections for damage, dirt or debris before attaching Propane/Butane cylinder. **DO NOT** use if either has been damaged or modified.
 - Follow directions in the “**Gas Leak Testing**” section on page 5 of this manual. Never test for gas leaks with a lit match or open flame. **DO NOT** operate the stove with a gas leak.
 - When transporting, not using, or storing stove always disconnect Propane/Butane gas.
 - Propane/Butane cylinder should remain upright to prevent liquid Propane/Butane flare-up.
 - **DO NOT** connect to a remote gas supply such as natural gas or a refillable Butane/Propane Bulk tank.
- In case of fire, turn gas ‘OFF’ at burner control knobs and use Type ‘BC’ fire extinguisher or other appropriate means to extinguish flame.
- Keep hands, face and hair away from burners. Use long matches or long-nosed lighter to light the burners, **DO NOT** wear loose clothing or allow long hair to hang freely while lighting or using stove.
- Always snap down the lid arms on the bottom case to prevent the stove from becoming unstable while in use. Use only on a flat surface.
- **DO NOT** move stove while in use. Avoid touching hot surfaces.
- Properly dispose of all packaging materials.
- Any modification of the appliance maybe dangerous.
- Use protective gloves when handling hot components .
- Gas parts are sealed by the manufacturer and must not be altered by user .
- When changing the gas container, please keep away from any source of ignition .
- Keep the hose position so as to ensure that it is not subjected to twisting .
- It is vital to replace the hose if it is worn,or damaged .
- The maximum diameter for pot/pan that using on the both left and right burner is 220mm, the minimum is 100mm.

ASSEMBLY INSTRUCTIONS

⚠ READ ALL SAFETY WARNINGS & ASSEMBLY INSTRUCTIONS CAREFULLY BEFORE ASSEMBLING OR OPERATING YOUR STOVE.

Inspect contents of the box to ensure all parts are included and undamaged.

Step 1

Snap down the lid arms on the bottom case.

Step 2

Open lid and align the two wind guards by inserting notched support arms into wind guards.

Step 3

Make sure burner control knobs are in "OFF" position.

Step 4

Attach regulator assembly to stove fittings. **HAND TIGHTEN ONLY**, Do not cross-thread connections.

Step 5

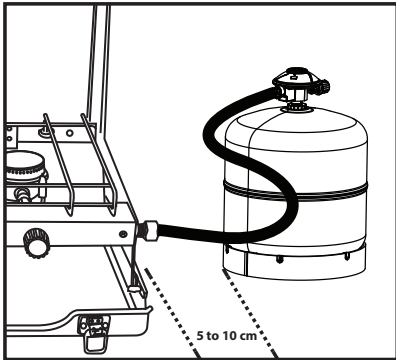
Attach propane/butane cylinder to regulator assembly by turning propane/butane cylinder counter-clockwise.

HAND TIGHTEN ONLY. Do not cross-thread connection.

⚠ CAUTION: Turn cylinder so that it is fully upright. The cylinder must always sit flat on surface. See diagram below.

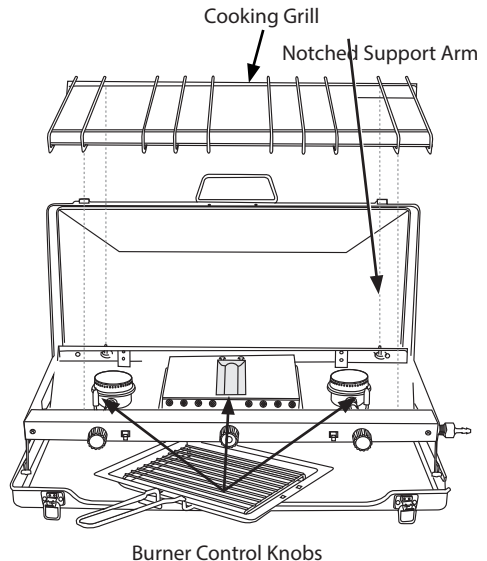
Step 6

Follow "**Gas Link Testing**" instructions on page 5 of this manual.



NOTE: Propane/Butane cylinder should be positioned at a minimum of 5 to 10 cm from stove. Always use a cylinder with a flat bottom.

- Type of gas: PROPANE at 37mbar/BUTANE at (28~30) mbar.
- Gas category: L_{3+(28~30/37)}
- Gas cylinder : Operates off 2.7 to 15 kg butane/propane cylinders. Maximum cylinder diameter: 32 cm. It may be hazardous to attempt to fit other types of gas containers.
- Gas hose: In accordance with national legislation and standards (max 1.5m).
- Gas regulator: In accordance with national legislation and standards (max flow rate 1.5 kg/h). The regulator must comply with EN16129.
- Orifice diameter: 0.60mm

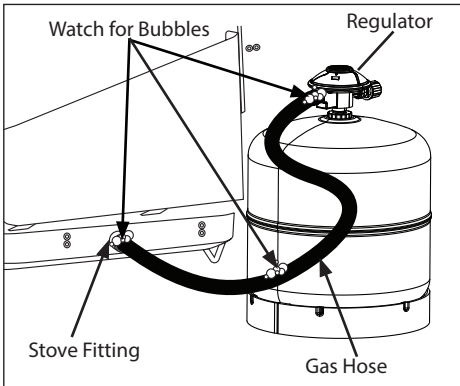


⚠ WARNING: Always snap down the lid arms on the bottom case to prevent the stove from becoming unstable while in use.

GAS LEAK TESTING

WARNING

- Gas leak testing must be performed outdoors in a well ventilated area every time cylinder is connected to stove.
- Always keep unit away from open flames, sparks or lit cigarettes.
- Never use a flame to check for gas leaks.



Step 1

Assemble stove per “Assembly Instructions” on page 4 of this manual. Make sure burner control knobs are in “OFF” position.

Step 2

Prepare a soapy water solution (one part dishwashing liquid to three parts water) to test for gas leaks in the connections. Apply a generous amount of the soapy mixture to the regulator, along entire length of hose, and at the stove fitting (located on the right side of stove).

Step 3

With the burner control knobs in the “OFF” position, check for the bubbles where gas cylinder attaches to regulator assembly, along entire length of hose, and at stove fitting. If soapy mixtures starts bubbling, gas is leaking through the connections. Disconnect the gas cylinder. Retighten the connection that is leaking gas. Repeat procedure with soapy mixture until gas no longer leaks. **NEVER USE A FLAME TO CHECK FOR GAS LEAKS.**

Step 4

Once all gas leaks have been sealed, **WAIT AT LEAST 5 MINUTES FOR GAS FUMES TO DISSIPATE BEFORE LIGHTING THE BURNERS.** Carefully follow “**Operating Instructions**” to light the burner and properly operate this unit.

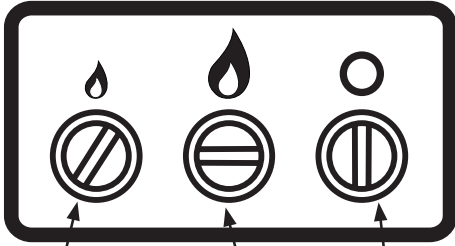
OPERATING INSTRUCTIONS

⚠ READ ALL SAFETY WARNINGS AND INSTRUCTIONS CAREFULLY.

⚠ WARNING

- **DO NOT** allow gasoline or other flammable vapors or liquids to come in contact with stove while lighting or at any time during use of stove.
- **DO NOT** allow the gas hose to come into contact with any hot surfaces. Inspect the hose for damage such as burns, chafing, and kinks before each use.
- In case of burn back (ignition under the burner cap) switch the product off, allow it to cool down (approximately five minutes), then reignite the appliance. If the problem of burn back persists, then please contact your local Campingaz® representative.

There are 3 positions for the control knobs, as indicated on the appliance:



Reduced flow rate
(smaller flames)

Full flow rate
(bigger flames)

OFF

Step 1

Make sure "**Gas Leak Testing**" from page 5 was completed and the burner control knobs are in the 'OFF' position and stove is on a flat surface away from combustible material.

Step 2

Decide which burner to light first. Using a long match, hold the flame beside burner. Turn the burner control knob to the full flow rate position until the burner lights.

⚠ WARNING: If the burner does not light within 5 seconds, turn the burner control knobs "OFF" immediately. Wait at least 5 minutes until gas fumes have dissipated before attempting to light burner again.

Step 3

To light the second burner, turn the knob of the first burner to the reduced flow rate position and repeat Step 2 to the other burner.

⚠ WARNING: If second burner does not light within 5 seconds, turn the burner control knobs "OFF" immediately. Wait at least 5 minutes until gas fumes have dissipated before attempting to light burner again.

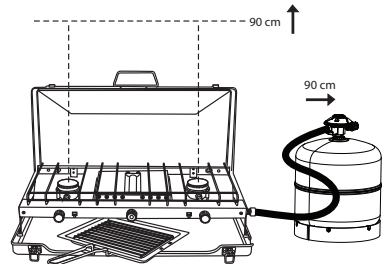
Step 4

Adjust burner flame as necessary by using burner control knob. Turn stove "OFF" using burner control knobs when stove is not in use.

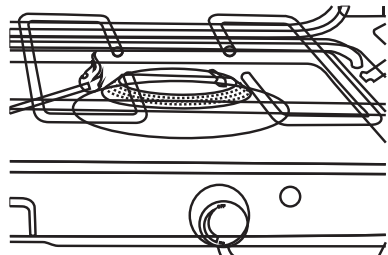
Step 5

Allow stove to cool completely, then follow instructions in the "After-Use Safety" and "Proper Care & Maintenance" sections of this manual.

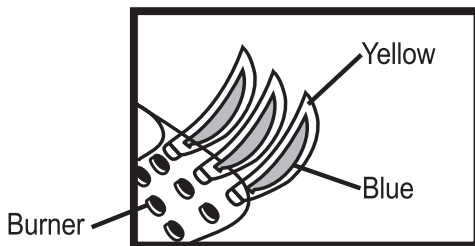
Minimum clearance to combustibles 90 cm from top and side of stove burners



Perimeter of base of stove



NOTE: Observe flame height and color when lit. Flame should have a blue center and yellow tip.



NOTES:

1. There are two piezo ignitions used to light the two hotplate burners.
Turn the hotplate burner control knob to the full flow rate position and then press down the ignition device several times until the burner lights.
If failed to light, turn the knob "off" immediately. Wait at least 5 minutes and repeat ignition step.
2. There is no ignition device for the grill burner (Middle burner). Please refer to the above steps from step 1 to step 4.

AFTER-USE SAFETY

- Always allow the stove to cool completely before handling.
- Always disconnect the gas cylinder from stove when not in use - a safety cap should be placed on the gas cylinder.
- Detach regulator assembly and store under grill inside stove.
- Never store gas cylinder in an enclosed area (house, garage, etc.). Store outdoors in well ventilated, shaded area away from any heat source or open flame.
- Fold wind guards and lid back into their closed position. Unfold the lid arms to lock lid down.

PROPER CARE & MAINTENANCE

- Wash cooking grill with hot, soapy water, rinse well and dry before storing. Wipe remaining exposed parts of stove with damp cloth. Do not use abrasive materials.
- To protect your stove, the unit must be kept clean and covered at all times when not in use.
- Cover and store stove in a protected area away from children and pets.
- After product has been stored and prior to reusing, verify that burners are free from leaves, insects, spider webs, dirt, etc. as these items can obstruct the flow of combustion air.
- Prior to each use, visually check the burner flame for proper operation as described on page 7.
DO NOT use if burner/flame is not operating properly.
- This stove requires an unobstructed airflow to operate correctly.
- During use or storage, always keep the stove area clear and free of combustible materials, gasoline and other flammable vapors and liquids.

NOTE: Due to the intense heat from burner, it is normal for discoloration to occur on stove during the first few uses.

NOTE: Do not allow a build-up of grease or fat to occur, this could inadvertently ignite and cause a fire.

TYPE OF GAS	Propane at 37 mbar Butane at (28~30) mbar		
GAS CATEGORY	I _{3+(28-30/37)}		
POWER	LEFT	MIDDLE	RIGHT
	1.5 kW	1.5 kW	1.5 kW
TOTAL POWER	4.5 kW (G30 =327 g/h / G31 = 322 g/h)		

WARRANTY APPLICATION TERMS AND CONDITIONS

- The product is covered by a total parts and labor warranty for a period of 2 (two) years from its purchase date.
- The warranty applies to products that do not conform to the order or that are defective.
- Within the guarantee period, the product shall be either repaired, replaced or reimbursed - in full or in part.
- Liability to Buyer under a claim shall in no event exceed the price of the product.
- The warranty is null and void and does not apply should the damage arise from (i) abuse of the products (ii) failure to operate and maintain the products in accordance with the instructions of use (iii) repair, service, alteration or modification of the product by unauthorized third parties (iv) original parts are not used.
- The warranty is excluded in case of professional use.
- Proof of the purchase date (ie. invoice, till receipt) and claim report are required to obtain a free warranty service.
- Do not return the appliance with the gas container (cylinder or cartridge) fitted; ensure it is dismantled before sending back.
- Service under the guarantee does not affect the expiry date of the warranty.
- This guarantee in no way affects a Buyer's statutory rights.
- Should you require additional information, please contact the Local Customer Service in your country.

CONSUMER SERVICE

In case of continued difficulty, please contact your local retailer who will give you details of the nearest After Sales Service point, or call the Campingaz Customer Service at:

Coleman UK Ltd

The Courtyard, Wraxall Hill,
Wraxall, Bristol BS48 1NA,
England

Tel: +44 (0)1275 845024 Fax: +44 (0)1275 849255

E-Mail: CSUK@newellco.com

Warning: Due to our policy of continual product development, the company reserves the right to alter or modify this product without prior notice.

www.coleman.eu