

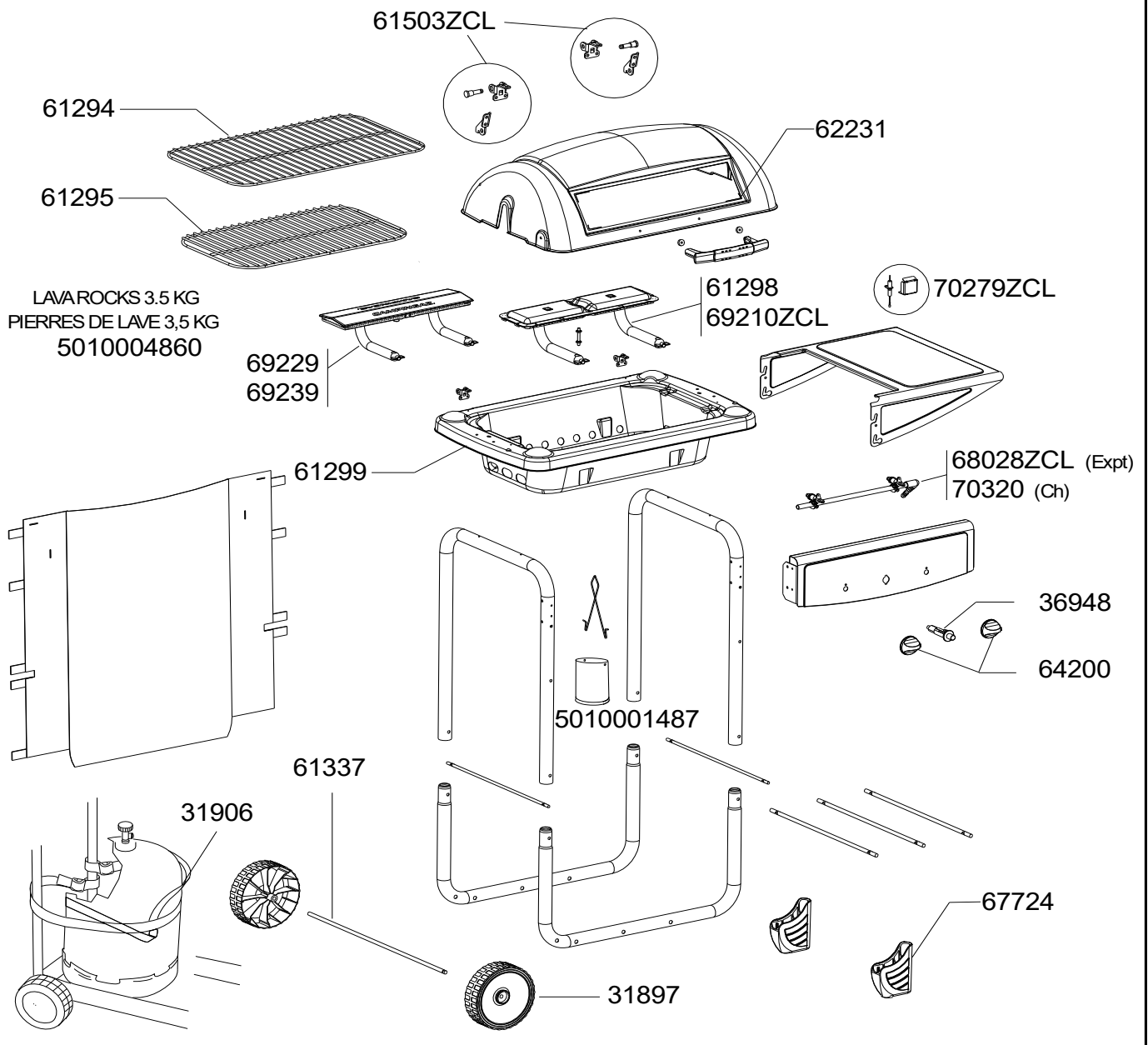
**BARBECUES RANCHO & RANCHO PLUS - CLASSIC - SUPER - VENTURA (MOD.SUPER)**



**RANCHO**



**RANCHO - PLUS - SUPER - CLASSIC**



**BARBECUES RANCHO & RANCHO  
PLUS - CLASSIC - SUPER - VENTURA  
(MOD.SUPER)**

SPARE PARTS REF.	POINTS	EN DESCRIPTIONS	FR DESCRIPTIONS	RANCHO	RANCHO PLUS - SUPER - CLASSIC - VENTURA
31897	50	WHEEL DIAMETER 175 (X 1)	ROUE DIAMETRE 175 (X 1)	X	X
31906	30	CYLINDER STRAP	SANGLE BOUTEILLE	X	X
36948	60	SIMPLE IGNITER	PIEZO SIMPLE	X	X
61294	100	STEEL NICKEL CHROME COOKING GRATE	GRILLE DE CUISSON ACIER CHROMEE	X	X
61295	90	LAVA ROCK GRATE	GRILLE PIERRES DE LAVE	X	X
61298	165	BURNER 28Mb	BRULEUR 28Mb	X	X
61299	295	BASE	CUVE	X	X
61337	50	AXLE WHEEL	AXE DE ROUE	X	X
61503ZCL	50	LID HINGE SET (x2)	CHARNIERES + AXE (x2) COUVERCLE	X	X
62231	60	GLASS SQUARE SUPPORT (x4)	EQUERRE VITRE (x4)	X	X
64200	30	KNOBS (X2)	VOLANTS (X2)	X	X
67724	40	FOOT	PIED	X	X
68028ZCL	150	GAS PIPE 28Mb (Export)	TUBULURE 28Mb (Export)	X	X
69210ZCL	150	BURNER 50Mb	BRULEUR 50Mb	X	X
69229	280	CAST-IRON BURNER 28Mb	BRULEUR FONTE 28Mb	X	X
69239	220	CAST-IRON BURNER 50Mb	BRULEUR FONTE 50Mb	X	X
70279ZCL	50	ELECTRODE + HOLDER	ELECTRODE + CACHE ELECTRODE	X	X
70320	150	GAS PIPE 28Mb 1/4" (Ch)	TUBULURE 28Mb 1/4" (Ch)		X
5010001487	50	GREASE CAN + WIRE	POT A GRAISSE + FIL	X	X
5010004860	50	LAVA ROCKS 3.5 KG	PIERRES DE LAVE 3,5 KG	X	X