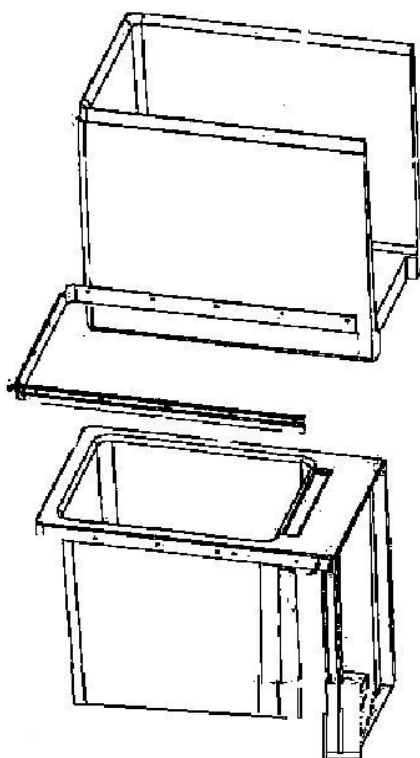


**THERMO-ELECTRIC COOLER :
GLACIERE THERMO-ELECTRIQUE :
COOL TRIP 08**



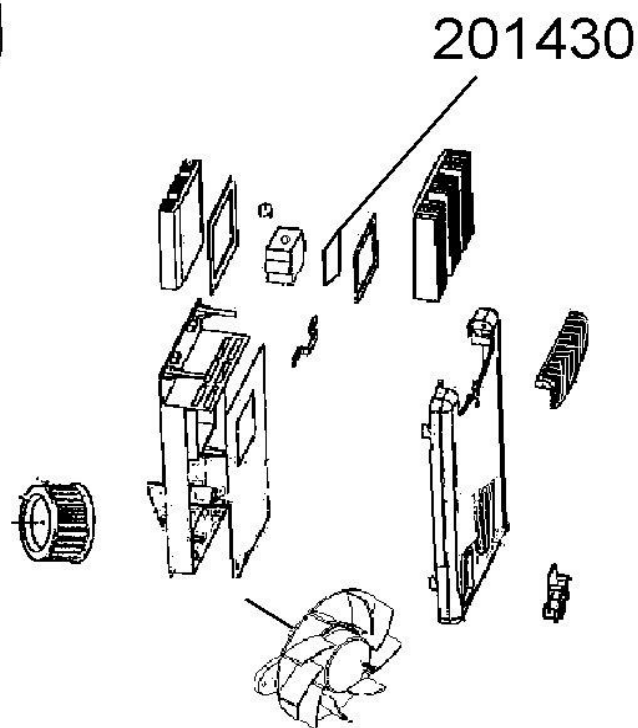
201332



67953

70316

**GREASE COMPOUND
GRAISSE THERMO-CONDUCTRICE**



201430

SPARE PARTS REF.	POINTS	EN DESCRIPTIONS	FR DESCRIPTIONS
67953	120	POWER CORD - 12 VOLTS	CORDON 12 VOLTS
70316	80	THERMAL JOINT COMPOUND	GRAISSE THERMO-CONDUCTRICE
201332	260	CONVERTER 230V/12V	TRANSFORMATEUR 230V/12V
201430	325	THERMO ELECTRIC ELEMENT	ELEMENT THERMO-ELECTRIQUE