

**BARBECUES :  
EL PRADO 2200 - W - D - FIGARI**



**EL PRADO 2200**



**EL PRADO 2200 W**

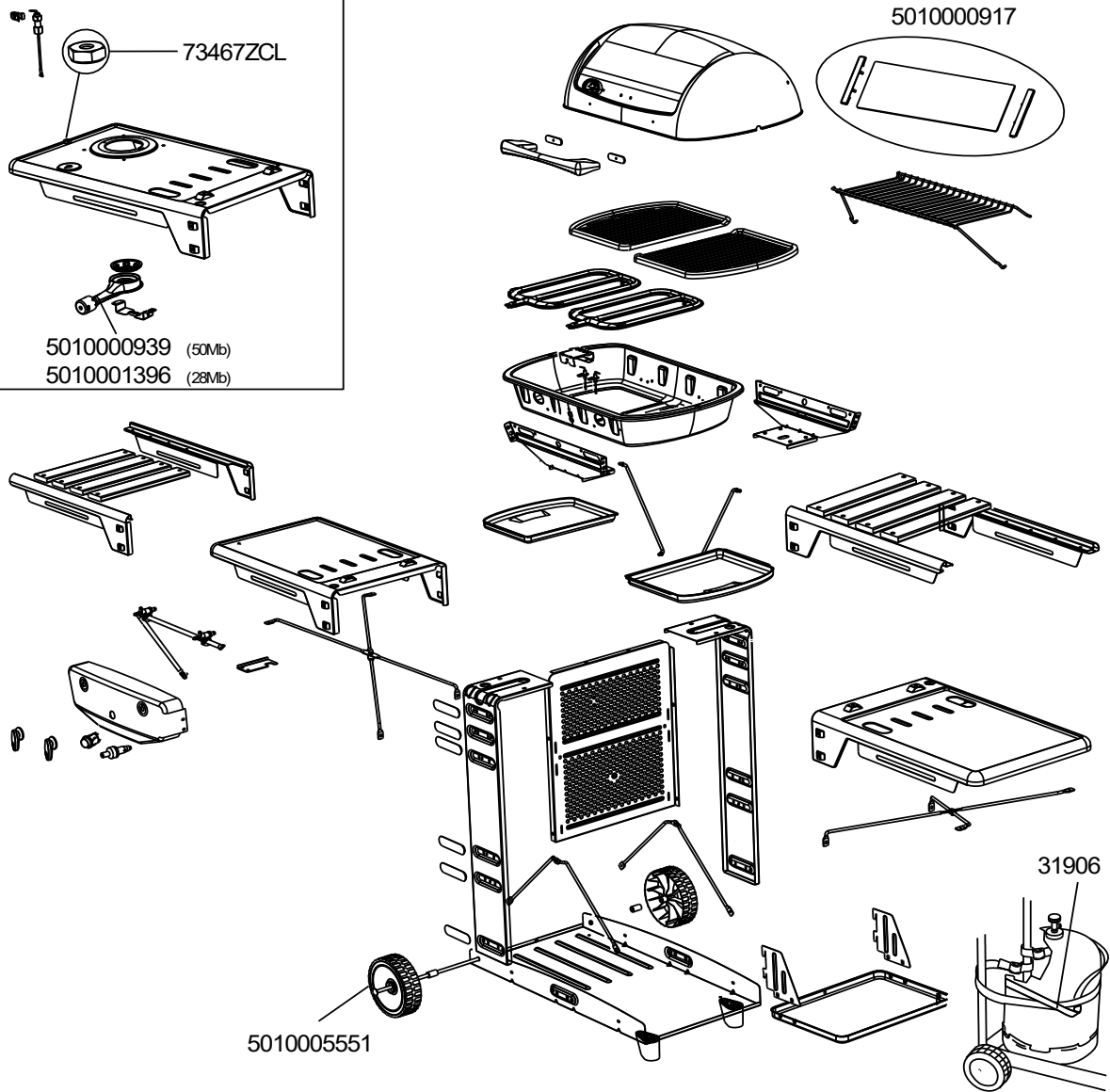
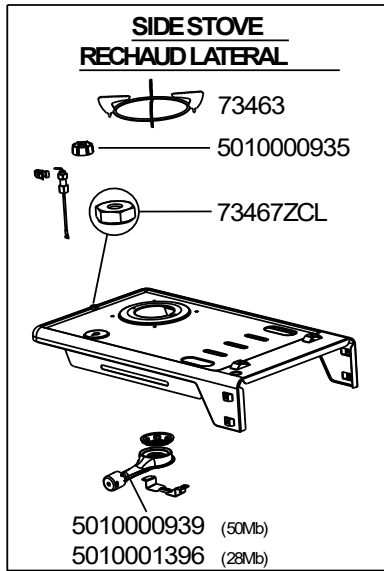


**EL PRADO 2200 D**



**FIGARI 2200**

# BARBECUES : EL PRADO 2200 - W - D - FIGARI



SPARE PARTS REF.	POINTS	EN DESCRIPTIONS	FR DESCRIPTIONS			
				2200 & FIGARI	2200 W	2200 D
31906	30	CYLINDER STRAP	SANGLE BOUTEILLE	X	X	X
73463	60	PAN SUPPORT	SUPPORT DE CASSEROLE			X
73467ZCL	30	BLOCKING NUT	ECROU DE BLOCAGE			X
5010000917	60	GLASS + SUPPORT (X2)	VITRE + SUPPORT (X2)	X	X	X
5010000935	30	KNOB (x1) FOR SIDE STOVE	VOLANT (x1) POUR RECHAUD LATERAL			X
5010000939	80	SIDE BURNER STOVE 50Mb + ELECTRODE	BRULEUR RECHAUD LATERAL 50Mb + ELECTRODE			X
5010001396	110	SIDE BURNER STOVE 28Mb + ELECTRODE	BRULEUR RECHAUD LATERAL 28Mb + ELECTRODE			X
5010005551	50	WHEEL DIAMETER 160 (X 1) WITH CHROMED CAP	ROUE DIAMETRE 160 (X 1) AVEC ENJOLIVEUR CHROME	X	X	X