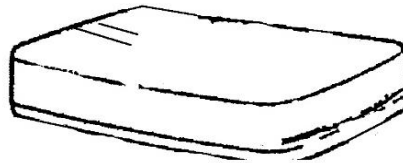


**CT 280-12 POWERCHILL / ICETIME 28L & 24L  
CT 280-12 / ICETIME 28L & 24L  
MOD. 2001 & PREVIOUS-ANTERIEURS**



66052

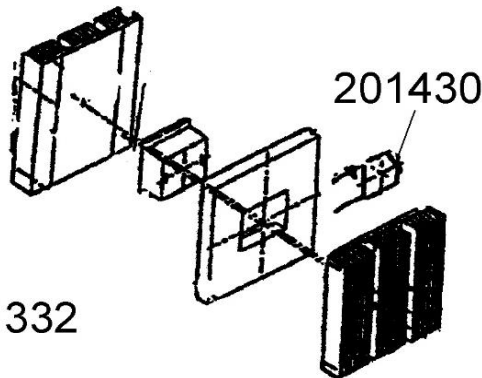


5010003898

62236



70318



201430



201332

70316

GREASE COMPOUND  
GRAISSE THERMO-CONDUCTRICE

SPARE PARTS REF.	POINTS	EN DESCRIPTIONS	FR DESCRIPTIONS
62236	30	FUSE (X2) 7A/250V (6x30 mm)	FUSIBLE (X2) 7A/250V (6x30 mm)
66052	90	THERMOSTAT	THERMOSTAT
70316	80	THERMAL JOINT COMPOUND	GRAISSE THERMO-CONDUCTRICE
70318	30	FUSE (x2) 7A/250V (5x20 mm)	FUSIBLE (x2) 7A/250V (5x20 mm)
201332	260	CONVERTER 230V/12V	TRANSFORMATEUR 230V/12V
201430	325	THERMO ELECTRIC ELEMENT	ELEMENT THERMO-ELECTRIQUE
5010003898	120	POWER CORD 12V	CORDON D'ALIMENTATION 12V