

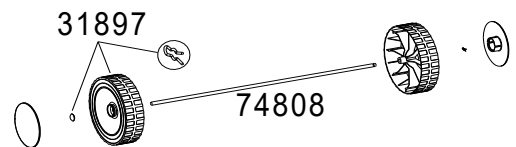
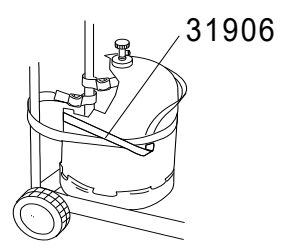
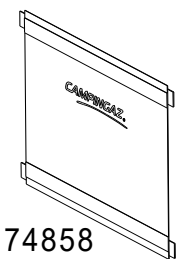
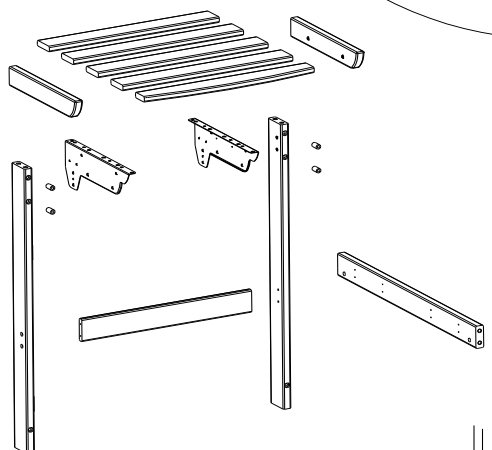
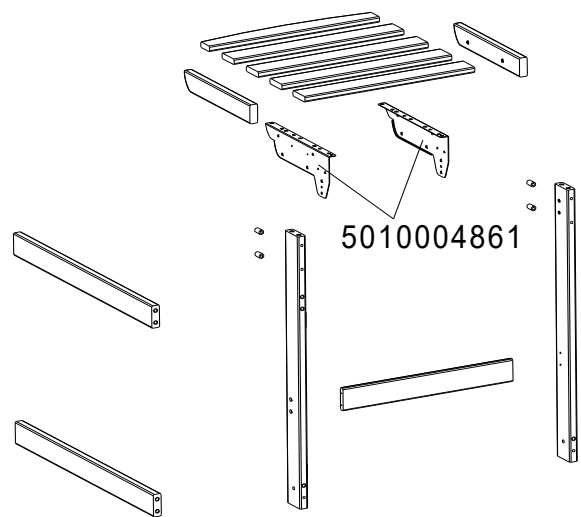
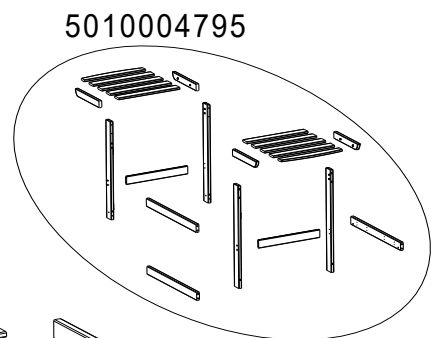
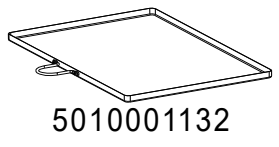
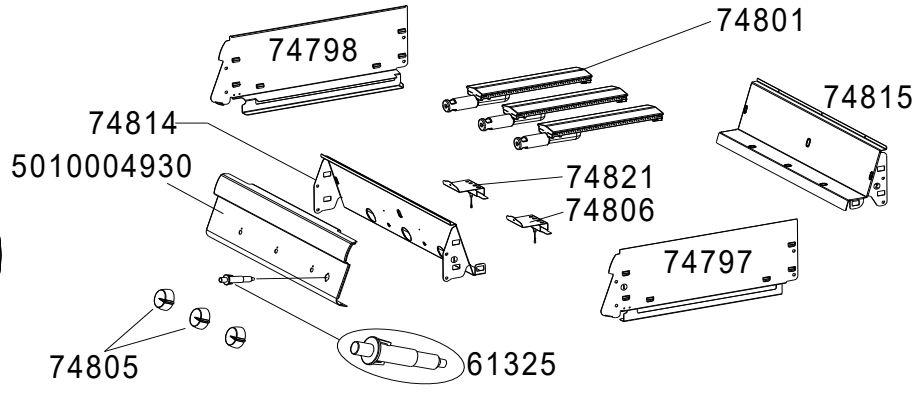
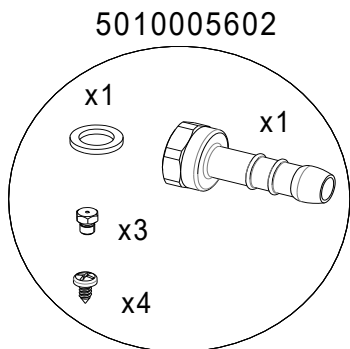
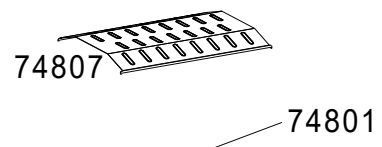
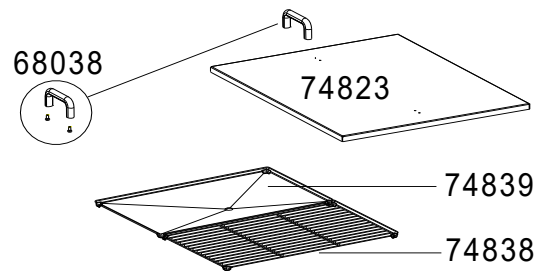
**BARBECUES : ADELAIDE 3
WOODY DUALGAS**

CAMPINGAZ®

DUAL GAS



BARBECUES : ADELAIDE 3 WOODY DUAL GAS



**SCREW BAG
SACHET DE VIS
74868**

BARBECUES : ADELAIDE 3 WOODY DUALGAS



SPARE PARTS REF.	POINTS	EN DESCRIPTIONS	FR DESCRIPTIONS
31897	50	WHEEL DIAMETER 175 (X 1)	ROUE DIAMETRE 175 (X 1)
31906	30	CYLINDER STRAP	SANGLE BOUTEILLE
61325	60	DOUBLE IGNITOR	PIEZO DOUBLE
68038	60	LID HANDLE + SCREWS	POIGNEE COUVERCLE + VIS
74797	100	BASE - RIGHT SIDE (1-2)	CUVE - COTE DROITE (1-2)
74798	100	BASE - LEFT SIDE (3-4)	CUVE - COTE GAUCHE (3-4)
74801	110	CAST IRON BURNER 28Mb	BRULEUR FONTE 28Mb
74805	40	KNOBS (X2)	VOLANTS (X2)
74806	50	ELECTRODE + HOLDER (ROUND END)	ELECTRODE + CACHE ELECTRODE (COSSE RONDE)
74807	80	HEAT DIFFUSER (x1)	DIFFUSEUR DE CHALEUR (x1)
74808	40	WHEEL AXLE	AXE DE ROUE
74809	40	CYLINDER WIRE	FIL SUPPORT RESERVOIR
74814	100	BASE - FRONT PART (1-4)	CUVE - PARTIE FRONTALE (1-4)
74815	100	BASE - REAR PART (2-3)	CUVE - PARTIE ARRIERE (2-3)
74821	80	ELECTRODE + HOLDER (SQUARE END)	ELECTRODE + SUPPORT (EMBOUT CARRE)
74823	160	FLAT LID WITHOUT HANDLE	COUVERCLE PLAT SANS POIGNEE
74838	220	ENAMELLED CAST IRON COOKING GRID - MATTE	GRILLE DE CUISSON FONTE EMAILLEE - MATE
74839	230	ENAMELLED CAST IRON COOKING GRIDDLE - MATTE	PLAQUE DE CUISSON FONTE EMAILLEE - MATE
74858	130	CYLINDER COVER	JUPE TEXTILE
74867	250	GAS PIPE 28Mb 1/2" (Fr)	TUBULURE 28Mb 1/2" (Fr)
74868	140	SCREW BAGS (SMALL + LARGE PARTS)	SACHETS DE VIS (PETITES + GROSSES PIECES)
5010001132	80	GREASE PLATE WITH HANDLE	PLATEAU RAMASSE GRAISSE AVEC POIGNEE
5010004795	420	WOODEN TROLLEY WITH SHELF PLANKS	CHARIOT BOIS AVEC LATTES ETAGERE
5010004861	60	SIDE SHELF SUPPORTS (RIGHT AND LEFT) - DARK GREY	SUPPORTS ETAGERE (DROITE ET GAUCHE) - GRIS FONCE
5010004930	80	FRONT PANEL (DARK GREY)	CONSOLE (GRIS FONCE)
5010005602	60	NATURAL GAS KIT (3 INJECTORS + 1 NATURAL GAS CONNECTOR W/ SEAL + SCREWS)	KIT GAZ NATUREL (3 INJECTEURS + 1 ABOUT GAZ NAT. AVEC JOINT + VIS)