

**BARBECUES : ADELAÏDE : 3 - 4
PREMIUM - PREMIUM DELUXE**



ADELAÏDE 3 PREMIUM



ADELAÏDE 3 PREMIUM DELUXE



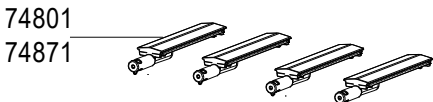
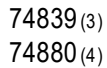
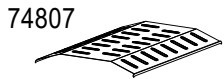
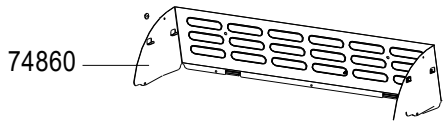
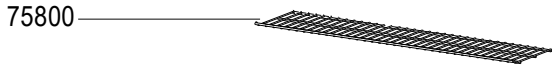
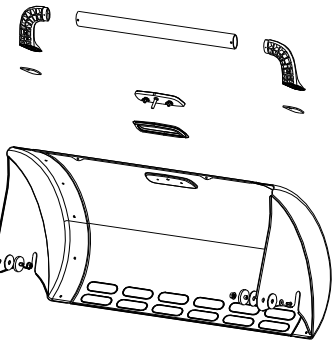
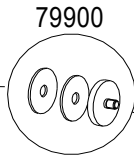
ADELAÏDE 4 PREMIUM



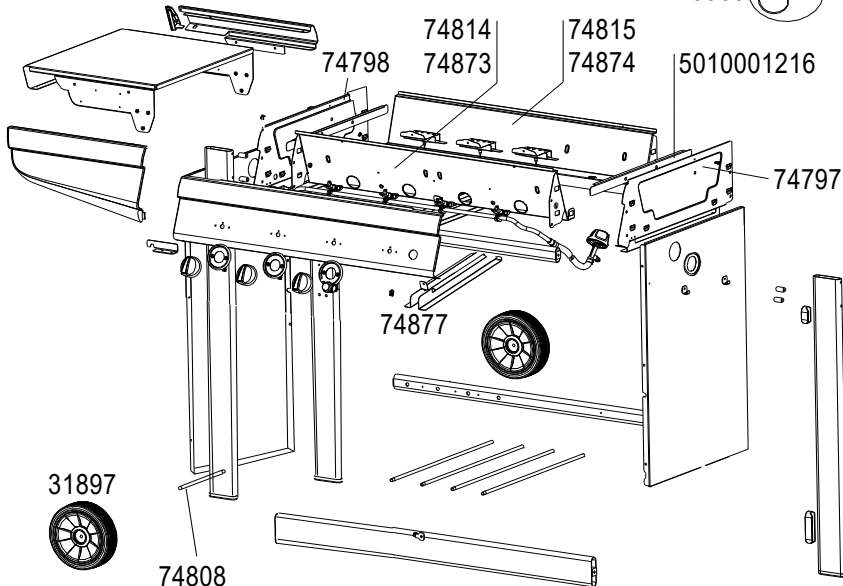
ADELAÏDE 4 PREMIUM DELUXE

**BARBECUES : ADELAÏDE : 3 - 4
PREMIUM - PREMIUM DELUXE**

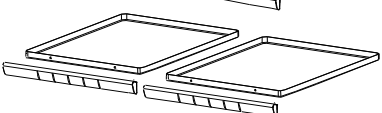
Only these parts are compliant with Premium Adelaide barbecues.
Seules ces pièces sont compatibles avec les Adelaïdes Premium.



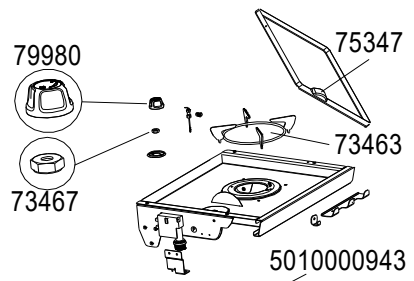
Jets / Injecteurs
40019 -50 Mb



74808



**SIDE STOVE
RECHAUD LATÉRAL**



79980

75347



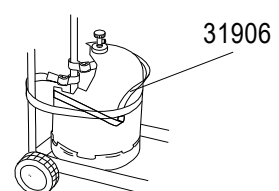
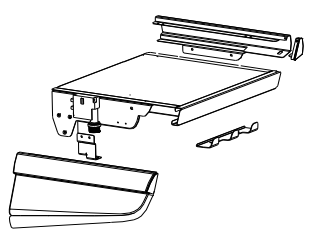
73463

73467

5010000943

5010000939 50 Mb
5010001396 28 Mb

Jets / Injecteurs
40019 Mod. 3 Prem
5010002448 Mod. 4 Prem



31906

BARBECUES : ADELAÏDE : 3 - 4 PREMIUM - PREMIUM DELUXE

| SPARE PARTS REF. | POINTS | EN DESCRIPTIONS | FR DESCRIPTIONS | | | | |
|------------------|--------|---|--|-----------|------------------|-----------|------------------|
| | | | | 3 PREMIUM | 3 PREMIUM DELUXE | 4 PREMIUM | 4 PREMIUM DELUXE |
| 31897 | 50 | WHEEL DIAMETER 175 (X 1) | ROUE DIAMETRE 175 (X 1) | X | X | X | X |
| 31906 | 30 | CYLINDER STRAP | SANGLE BOUTEILLE | X | X | X | X |
| 40019 | 50 | JET | INJECTEUR | X | X | X | X |
| 73463 | 60 | PAN SUPPORT | SUPPORT DE CASSEROLE | | X | | X |
| 73467 | 30 | BLOCKING NUT | ECROU DE BLOCAGE | | X | | X |
| 74797 | 100 | BASE - RIGHT SIDE (1-2) | CUVE - COTE DROITE (1-2) | X | X | X | X |
| 74798 | 100 | BASE - LEFT SIDE (3-4) | CUVE - COTE GAUCHE (3-4) | X | X | X | X |
| 74801 | 110 | CAST IRON BURNER 28Mb | BRULEUR FONTE 28Mb | X | X | X | X |
| 74807 | 80 | HEAT DIFFUSER (x1) | DIFFUSEUR DE CHALEUR (x1) | X | X | X | X |
| 74808 | 40 | WHEEL AXLE | AXE DE ROUE | X | X | X | X |
| 74814 | 100 | BASE - FRONT PART (1-4) | CUVE - PARTIE FRONTALE (1-4) | X | X | | |
| 74815 | 100 | BASE - REAR PART (2-3) | CUVE - PARTIE ARRIERE (2-3) | X | X | | |
| 74838 | 220 | ENAMELLED CAST IRON GRID - MATTE | GRILLE FONTE EMAILLEE - MATE | X | X | | |
| 74839 | 230 | ENAMELLED CAST IRON GRIDDLE - MATTE | PLAQUE DE CUISSON FONTE EMAILLEE - MATE | X | X | | |
| 74860 | 170 | WINDSHIELD | PAREVENT | X | X | | |
| 74871 | 100 | CAST IRON BURNER 50Mb | BRULEUR FONTE 50Mb | X | X | X | X |
| 74873 | 120 | BASE - FRONT PART (1-4) | CUVE - PARTIE FRONTALE (1-4) | | | X | X |
| 74874 | 120 | BASE - REAR PART (2-3) | CUVE - PARTIE ARRIERE (2-3) | | | X | X |
| 74877 | 60 | CENTRAL GUIDE | GLISSIERE CENTRALE | | | X | X |
| 74880 | 160 | ENAMELLED CAST IRON GRIDDLE - MATTE | PLAQUE DE CUISSON FONTE EMAILLEE - MATE | | | X | X |
| 74883 | 40 | ELECTRODE HOUSING | SUPPORT ELECTRODE | X | X | X | X |
| 75347 | 30 | SIDE STOVE HANDLE | POIGNEE COUVERCLE RECHAUD | | X | | X |
| 75800 | 140 | WARMING GRID | GRILLE DE MIJOTAGE | | | X | X |
| 79882 | 250 | GREASE DRAWER | TIROIR A GRAISSE | X | X | | |
| 79900 | 130 | HANDLE + THERMIC SHIELD + THERMOMETER + LID AXLES | POIGNEE + ECRAN THERMIQUE + THERMOMETRE + AXES COUVERCLE | X | X | X | X |
| 79960 | 80 | ELECTRODE (SQUARE END) + HOLDER | ELECTRODE (COSSE PLATE) + SUPPORT | X | X | X | X |
| 79980 | 50 | KNOB | VOLANT | | X | | X |
| 5010000939 | 80 | SIDE BURNER STOVE 50Mb + ELECTRODE | BRULEUR RECHAUD LATERAL 50Mb + ELECTRODE | | X | | X |
| 5010000943 | 40 | CAP LATERAL BURNER | CHAPEAU BRULEUR LATERAL | | X | | X |
| 5010001154 | 140 | ENAMELLED STEEL GRID - SHINY | GRILLE DE CUISSON ACIER EMAILLE - BRILLANTE | | | X | X |
| 5010001216 | 40 | STEEL SPACER | ENTRETOISE ACIER | | | X | X |
| 5010001396 | 110 | SIDE BURNER STOVE 28Mb + ELECTRODE | BRULEUR RECHAUD LATERAL 28Mb + ELECTRODE | | X | | X |
| 5010002448 | 30 | JET 50Mb - FOR BUTANE AND PROPANE GAS PIPE | INJECTEUR 50Mb - POUR TUBULURE GAZ BUTANE ET PROPANE | | X | | X |