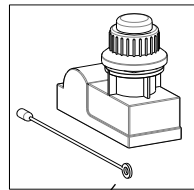
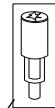


**CATALYTIC HEATER /  
CHAUFFAGE CATALYTIQUE :  
CR 5000 THERMO - CR 5000 THERMO +  
ELZO 3000 THERMO**



2181964

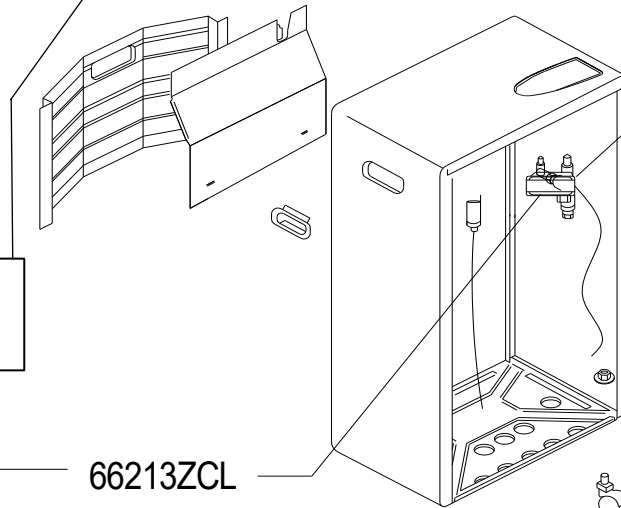


5010001470

(MOD.2012)



5010001464



66665

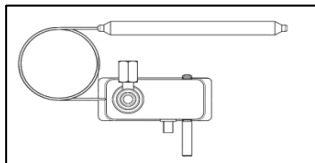
5010002364

Loctite  
5010002356

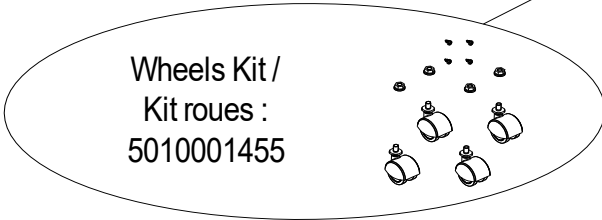


61754

67693  
5010001589  
5010004762



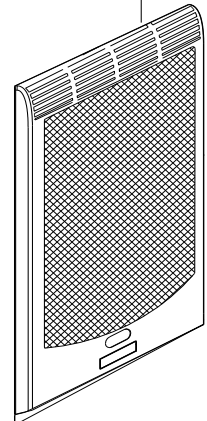
66213ZCL



Wheels Kit /  
Kit roues :  
5010001455

5010003309

78185



**2181964**  
MOD. CR5000 THERMO+ WITH ELECTRONIC IGNITION  
MOD. CR5000 THERMO+ AVEC ALLUMAGE ELECTRONIQUE

**5010001470**  
MOD. WITH PIEZO IGNITION  
MOD. AVEC ALLUMAGE PIEZO

If elbow inlet, please order also 5010002356 to ensure safety tightness /  
Si raccord coudé, commander également 5010002356 afin d'assurer un  
blocage sécurité

**CATALYTIC HEATER /  
CHAUFFAGE CATALYTIQUE :  
CR 5000 THERMO - CR 5000 THERMO +  
ELZO 3000 THERMO**

SPARE PARTS REF.	POINTS	EN DESCRIPTIONS	FR DESCRIPTIONS	A-20 THERMO CR 5000 THERMO / CR5000 THERMO +				
				MOD. >= 2013		OLD MOD./ ANC.MOD. (<2013)		ELZO 3000 THERMO
				France	SPAIN / Espagne	FRANCE SWITZERLAND - SUISSE	GERMANY / Allemagne	
61754	50	SCREWED ADAPTATOR + WASHER (Fr)	ADAPTATEUR TETINE VISSE + JOINT (Fr)	X		X		X
66213ZCL	270	THERMOSTAT	THERMOSTAT	X	X	X		X
66665	170	GAS TAP DEVICE (FR)	VANNE DE SECURITE (FR)	X		X	X	X
67693	190	FRONT PANEL - DARK GREY	FACADE AVANT - GRIS FONCE		X	X	X	
78185	150	GAS STOP DEVICE	VEILLEUSE + THERMOCOUPLE	X	X	X		X
2181964	90	ELECTRONIC IGNITION BOX WITH PUSH BUTTON AND EARTH WIRE	BOITIER ALLUMAGE ELECTRONIQUE AVEC BOUTON POUSSOIR ET FIL DE MASSE		X			
5010001455	50	WHEELS KIT (x4)	KIT ROUES (x4)	X	X	X		X
5010001464	30	VALVE KNOB	VOLANT VANNE	X	X			
5010001470	50	PIEZO IGNITER	PIEZO	X	X	X	X	X
5010001589	90	FRONT PANEL - BLUE	FACADE AVANT - BLEUE	X				X
5010002356	290	LOCTITE GLUE 542 10ML	COLLE LOCTITE 542 10 ML	X	X	X	X	
5010002364	130	GAS TAP DEVICE	VANNE DE SECURITE		X			
5010003309	300	CATALYTIC PANEL (WITH FOLDED SUPPORTS)	PANNEAU CATALYTIQUE (AVEC SUPPORTS PLIES)	X	X	X	X	X
5010004762	140	FRONT PANEL - BORDEAUX	FACADE AVANT - BORDEAUX		X			