

**THERMO-ELECTRIC COOLER /
GLACIERE THERMO-ELECTRIQUE :
POWERBOX PLUS 24L/28L/36L
POWERCOLD PLUS 23L
POWERFREEZE PLUS 25L**



POWERBOX PLUS 24L



POWERBOX PLUS 28L

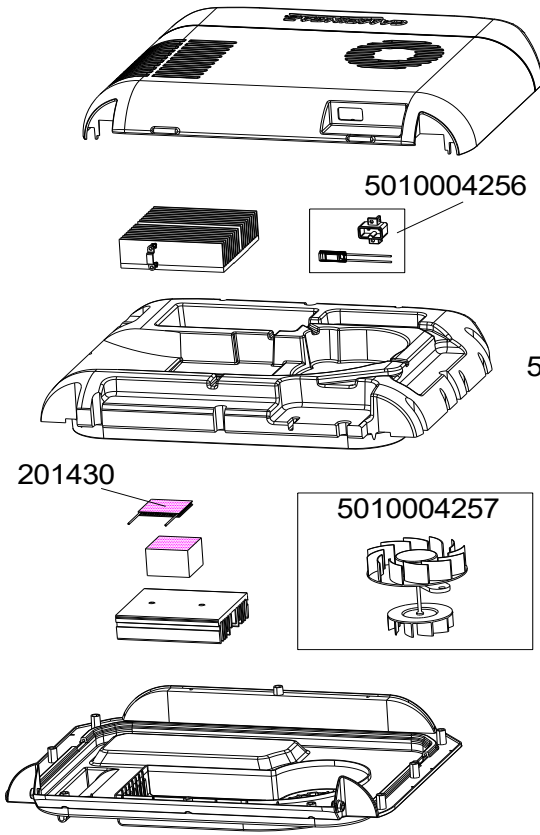


POWERBOX PLUS 36L



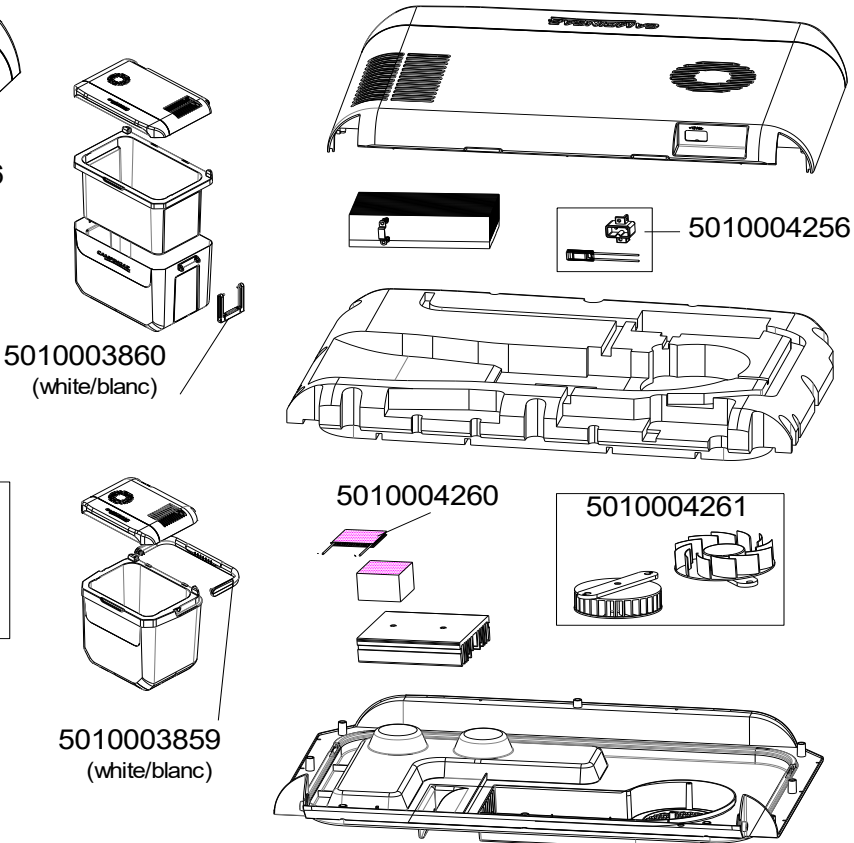
POWERCOLD PLUS 23L POWERFREEZE PLUS 25L

**POWERBOX PLUS 24L/28L
POWERCOLD PLUS 23L
POWERFREEZE PLUS 25L**



**70316
GREASE COMPOUND
GRAISSE THERMOCONDUCTRICE**

POWERBOX PLUS 36L



5010003898 62236 201332

**THERMO-ELECTRIC COOLER /
GLACIERE THERMO-ELECTRIQUE :
POWERBOX PLUS 24L/28L/36L
POWERCOLD PLUS 23L
POWERFREEZE PLUS 25L**

SPARE PARTS REF.	POINTS	EN DESCRIPTIONS	FR DESCRIPTIONS	POWERBOX PLUS 24L/28L	POWERBOX PLUS 36L	POWERCOLD PLUS 23L	POWERFREEZE PLUS 25L
62236	30	FUSE (X2) 7A/250V (6x30 mm)	FUSIBLE (X2) 7A/250V (6x30 mm)	X	X	X	X
70316	80	THERMAL JOINT COMPOUND	GRAISSE THERMO-CONDUCTRICE	X	X	X	X
201332	260	CONVERTER 230V/12V	TRANSFORMATEUR 230V/12V	X	X	X	X
201430	325	THERMO ELECTRIC ELEMENT	ELEMENT THERMO-ELECTRIQUE	X		X	X
5010003859	60	HANDLE - WHITE	POIGNEE - BLANC	X		X	X
5010003860	60	HANDLE - WHITE	POIGNEE - BLANC		X		
5010003898	120	POWER CORD 12V	CORDON D'ALIMENTATION 12V	X	X	X	X
5010004256	50	THERMAL FUSE + POWER PLUG	THERMOFUSIBLE + PRISE ALIMENTATION	X	X	X	X
5010004257	50	MOTOR + PROPELLERS (HOT AND COLD)	MOTEUR + HELICES (CHAUD ET FROID)	X		X	X
5010004260	100	THERMO ELECTRIC ELEMENT	ELEMENT THERMO-ELECTRIQUE		X		
5010004261	120	MOTORS + PROPELLERS (HOT AND COLD)	MOTEURS + HELICES (CHAUD ET FROID)		X		