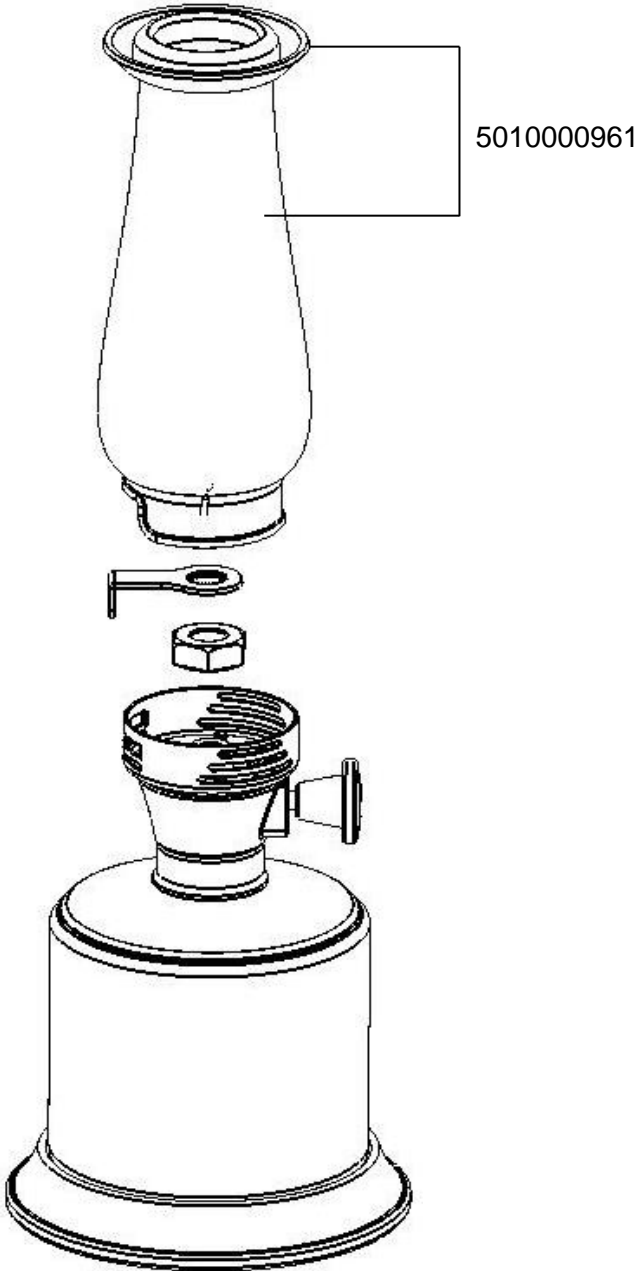


AMBIANCE LANTERN



SPARE PART REF.	POINTS	EN DESCRIPTIONS	FR DESCRIPTIONS
5010000961	110	GLOBE (NACREOUS) + OIL DIFFUSER	VERRE (NACRE) + DIFFUSEUR