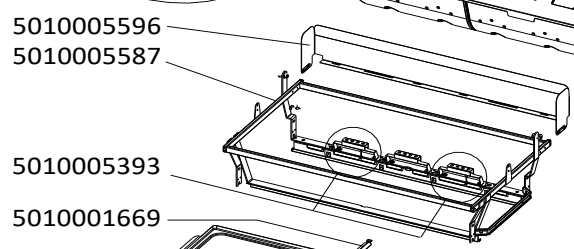
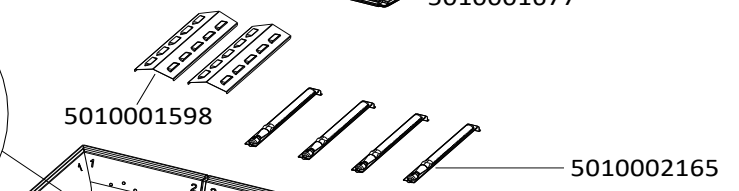
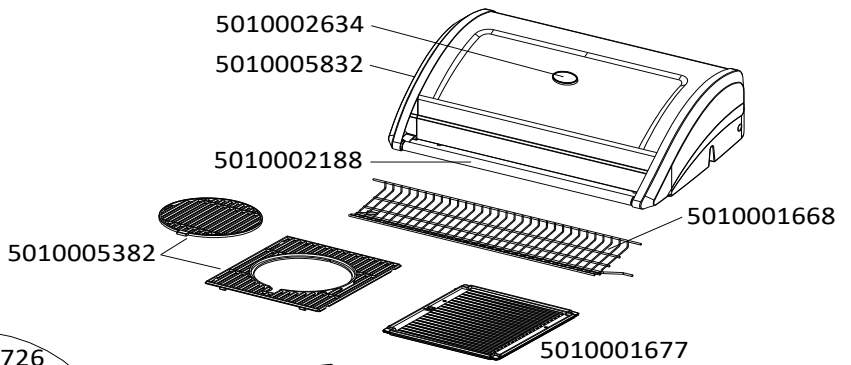
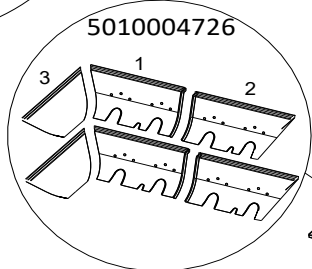


**BARBECUES : 4 SERIES
CLASSIC LXSD PLUS**

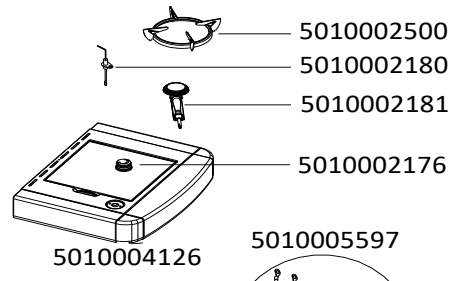
CAMPINGAZ



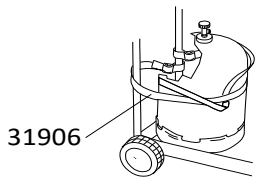
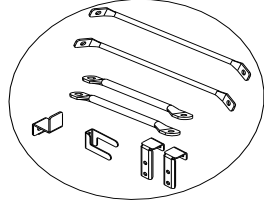
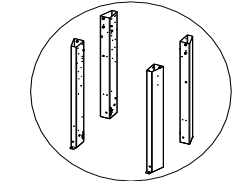
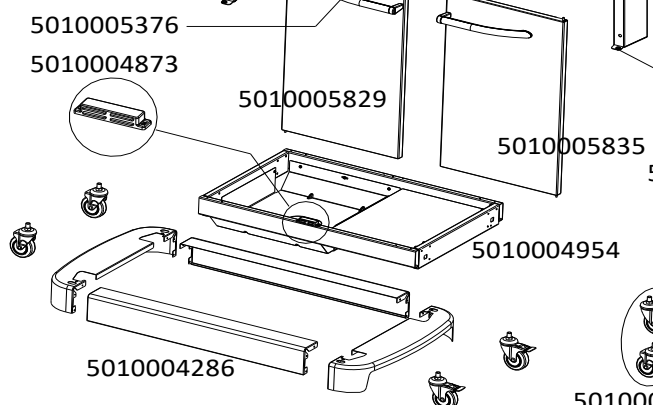
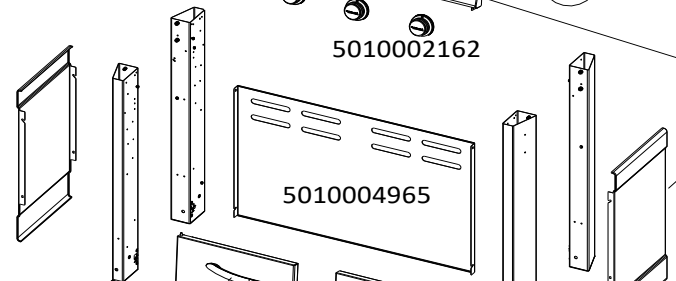
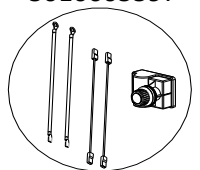
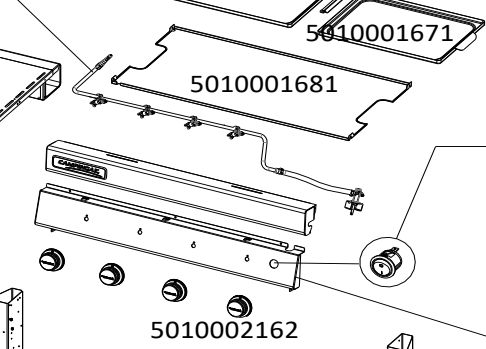
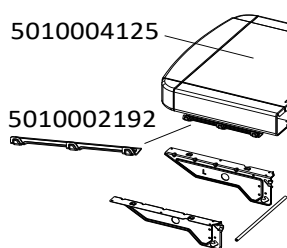
BARBECUES : 4 SERIES CLASSIC LXSD PLUS



**SIDE STOVE
RECHAUD LATÉRAL**



5010002445 (Fr)
JET / INJECTEUR
5010002164 (28 Mb)



**ACCESSORY BAG
SACHET ACCESSOIRES**
5010004875

**SCREW BAG
SACHET DE VIS**
5010003148

BARBECUES : 4 SERIES CLASSIC LXSD PLUS



| SPARE PARTS REF. | POINTS | EN DESCRIPTIONS | FR DESCRIPTIONS |
|------------------|--------|--|--|
| 31906 | 30 | CYLINDER STRAP | SANGLE BOUTEILLE |
| 5010001598 | 100 | STEEL HEAT DIFFUSER (x1) | DIFFUSEUR DE CHALEUR ACIER (x1) |
| 5010001668 | 120 | WARMING GRID | GRILLE DE MIJOTAGE |
| 5010001669 | 30 | GREASE DRAWER TENT | TENTE TIROIR RAMASSE GRAISSE |
| 5010001671 | 50 | GREASE PLATE (x1) | PLATEAU RAMASSE GRAISSE (x1) |
| 5010001677 | 320 | REVERSIBLE ENAMELLED CAST IRON GRIDDLE - SHINY | PLAQUE DE CUISSON FONTE EMAILLEE REVERSIBLE - BRILLANTE |
| 5010001681 | 60 | HEAT SHIELD | PARE CHALEUR |
| 5010002162 | 70 | KNOB (x2) | VOLANT (x2) |
| 5010002164 | 30 | JET 28Mb | INJECTEUR 28Mb |
| 5010002165 | 120 | STAINLESS STEEL BURNER 28Mb | BRULEUR INOX 28Mb |
| 5010002176 | 40 | KIT OF 2 KNOBS FOR SIDE STOVE | KIT DE 2 VOLANTS POUR RECHAUD LATERAL |
| 5010002180 | 40 | ELECTRODE FOR SIDE STOVE | ELECTRODE RECHAUD LATERAL |
| 5010002181 | 50 | SIDE STOVE BURNER | BRULEUR POUR RECHAUD LATERAL |
| 5010002188 | 60 | STAINLESS STEEL HANDLE + INSULATING + ENDS | POIGNEE INOX + ISOLANT + EMBOUTS |
| 5010002192 | 40 | USTENSIL HOOK | PORTE USTENSILES |
| 5010002282 | 30 | REINFORCEMENT WIRE SIDE SHELF | FIL RENFORT ETAGERE |
| 5010002445 | 300 | STOVE PIPE 28Mb 1/2" (Fr) | TUBULURE RECHAUD 28Mb 1/2" (Fr) |
| 5010002500 | 50 | SIDE STOVE PAN SUPPORT | SUPPORT DE CASSEROLE RECHAUD LATERAL |
| 5010002634 | 50 | THERMOMETER WITH BEZEL | THERMOMETRE AVEC COUPELLE |
| 5010003148 | 60 | SCREW BAG | SACHET DE VIS |
| 5010003346 | 40 | AXLE SUPPORTS FOR DOORS (MOD. 2016 AND AFTER) + 2 CHASSIS SQUARES | SUPPORTS AXE PORTES (MOD. A PARTIR DE 2016) + 2 EQUERRES CHASSIS |
| 5010004125 | 190 | LEFT OR RIGHT SIDE TABLE WITH USTENSIL HOOK - TEXTURED DARK GREY | ETAGERE GAUCHE OU DROITE AVEC PORTE USTENSILES - GRAINE GRIS FONCE |
| 5010004126 | 220 | SIDE BURNER SHELF W/LID - TEXTURED DARK GREY | ETAGERE RECHAUD LATERAL AVEC COUVERCLE - GRAINE GRIS FONCE |
| 5010004140 | 180 | TOP + BOTTOM CONTROL PANELS - TEXTURED DARK GREY (MOD.4 LXS) | CONSOLES HAUT + BAS - GRAINE GRIS FONCE (MOD.4 LXS) |
| 5010004286 | 190 | SKIRT | JUPE |
| 5010004726 | 290 | KIT OF REMOVABLE PARTS (FIREBOX) | KIT DE PARTIES AMOVIBLES (CUVE) |
| 5010004729 | 70 | SET OF WHEELS (x2) | ENSEMBLE ROUES (x2) |
| 5010004830 | 60 | SIDE SHELF SUPPORTS (RIGHT AND LEFT) - TEXTURED DARK GREY | SUPPORTS ETAGERE (DROITE ET GAUCHE) - GRAINE GRIS FONCE |
| 5010004873 | 50 | MAGNETS (X2) | AIMANTS (X2) |
| 5010004875 | 100 | ACCESSORY BAG | SACHET D'ACCESSOIRES |
| 5010004931 | 50 | LID PADS(x2) + BASE CUSHIONS(x2) + LEG GROMMETS(x4) | PATINS COUVERCLE(x2) + BOUCHONS CUVE(x2) + RONDELLES PIED(x4) |
| 5010004954 | 250 | CHASSIS (MOD. FROM 2018) | CHASSIS (MOD. A PARTIR DE 2018) |
| 5010004961 | 70 | LEFT OR RIGHT SIDE PANEL (TEXTURED DARK GREY) | PANNEAU LATERAL GAUCHE OU DROITE (GRAINE GRIS FONCE) |
| 5010004965 | 110 | REAR PANEL | PANNEAU ARRIERE |
| 5010005376 | 120 | CHROMED STEEL HANDLE (LEFT OR RIGHT) + SCREWS (MOD. FROM 2019) | POIGNEE ACIER CHROME (GAUCHE OU DROITE) + VIS (MOD. A PARTIR DE 2019) |
| 5010005382 | 300 | ENAMELLED CAST IRON GRID (FRAME + CIRCLE) - SHINY (MOD. FROM 2019) | GRILLE FONTE EMAILLEE (CADRE+CERCLE) - BRILLANTE (MOD. A PARTIR DE 2019) |
| 5010005393 | 100 | KIT OF ELECTRODES + HOUSINGS | KIT ELECTRODES + SUPPORTS |
| 5010005587 | 250 | BASE FRAME | CADRE SUPPORT DE CUVE |
| 5010005596 | 60 | WINDSHIELD | PAREVENT |
| 5010005597 | 180 | ELECTRONIC IGNITION SET (2/4 OUTLETS) WITH CONNECTION WIRES | KIT ALLUMAGE ELECTRONIQUE (2/4 SORTIES) AVEC CABLES DE CONNECTIONS |
| 5010005828 | 430 | KIT LEGS (x4) | KIT PIEDS (x4) |
| 5010005829 | 170 | LEFT DOOR WITHOUT HANDLE (TEXTURED DARK GREY) | PORTE GAUCHE SANS POIGNEE (GRAINE GRIS FONCE) |
| 5010005832 | 570 | LID WITH THERMOMETER - BLACK | COUVERCLE AVEC THERMOMETRE - NOIR |
| 5010005834 | 40 | PUSH BUTTON ELECTRONIC IGNITOR (SILVER CAP) | BOUTON POUSSOIR TRAIN D'ETINCELLES (BOUTON ARGENTE) |
| 5010005835 | 170 | RIGHT DOOR WITHOUT HANDLE (TEXTURED DARK GREY) | PORTE DROITE SANS POIGNEE (GRAINE GRIS FONCE) |