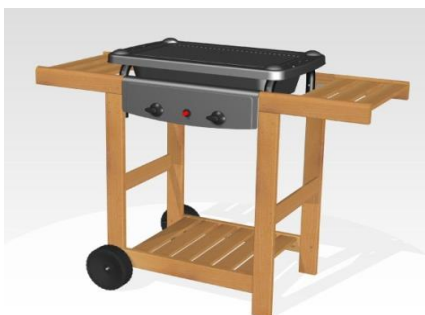


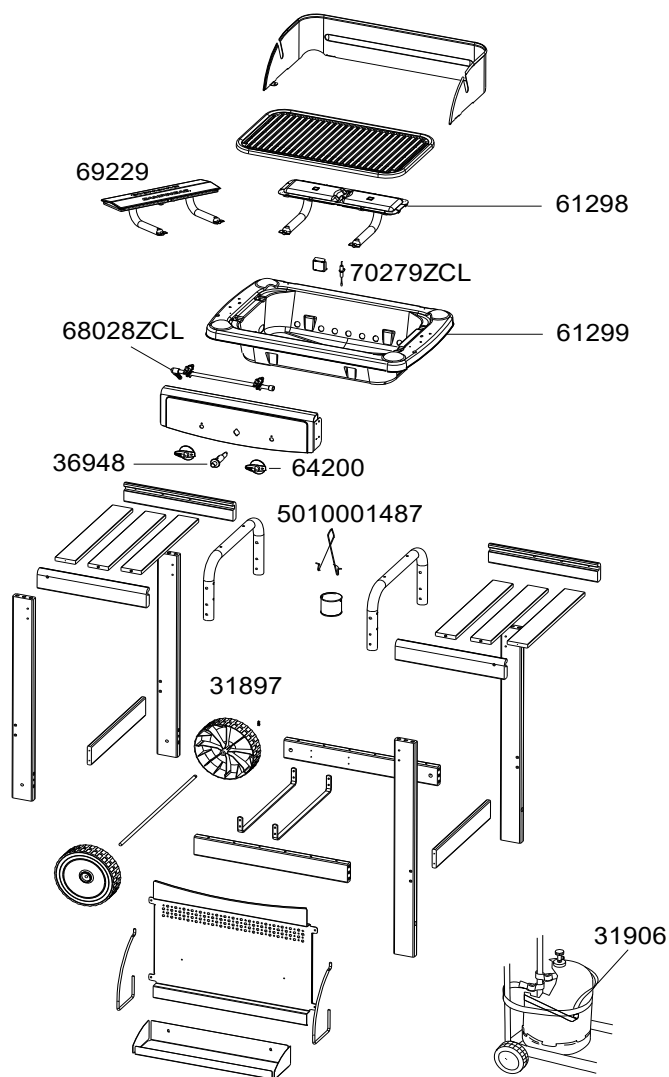
BARBECUES WOODY CONTACT & WOODY CONTACT ADVANTAGE



CONTACT



CONTACT ADVANTAGE



SPARE PARTS REF.	POINTS	EN DESCRIPTIONS	FR DESCRIPTIONS	CONTACT	CONTACT ADVANTAGE
31897	50	WHEEL DIAMETER 175 (X 1)	ROUE DIAMETRE 175 (X 1)	X	X
31906	30	CYLINDER STRAP	SANGLE BOUTEILLE	X	X
36948	60	SIMPLE IGNITER	PIEZO SIMPLE	X	X
61298	165	BURNER 28Mb	BRULEUR 28Mb	X	X
61299	295	BASE	CUVE	X	X
64200	30	KNOBS (X2)	VOLANTS (X2)	X	X
68028ZCL	150	GAS PIPE 28Mb (Export)	TUBULURE 28Mb (Export)	X	X
69229	280	CAST-IRON BURNER 28Mb	BRULEUR FONTE 28Mb	X	X
70279ZCL	50	ELECTRODE + HOLDER	ELECTRODE + CACHE ELECTRODE	X	X
5010001487	50	GREASE CAN + WIRE	POT A GRAISSE + FIL	X	X