

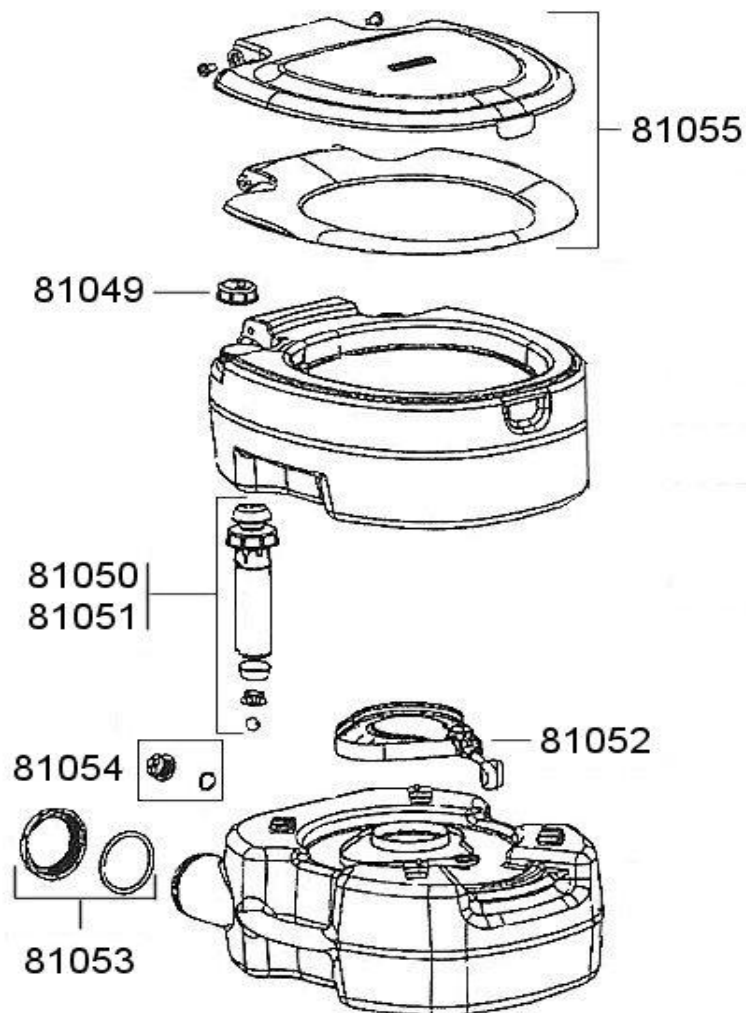
**CHEMICAL TOILETS / WC  
CHIMIQUES :  
FLUSH TOILETS S & L**



**FLUSH TOILET - S**



**FLUSH TOILET - L**



| REF . | POINTS | GB DESIGNATIONS         | DESIGNATIONS F               |
|-------|--------|-------------------------|------------------------------|
| 81049 | 50     | FILLING CAP             | BOUCHON DE REMPLISSAGE       |
| 81050 | 80     | PUMP ASSEMBLY - MODEL S | ENSEMBLE POMPE - MODELE S    |
| 81051 | 80     | PUMP ASSEMBLY - MODEL L | ENSEMBLE POMPE - MODELE L    |
| 81052 | 140    | GATE VALVE              | CLAPET D'EVACUATION          |
| 81053 | 50     | LARGE CAP               | GROS BOUCHON                 |
| 81054 | 30     | SMALL CAP               | PETIT BOUCHON                |
| 81055 | 130    | LID & SEAT ASSEMBLY     | ENSEMBLE COUVERCLE & LUNETTE |