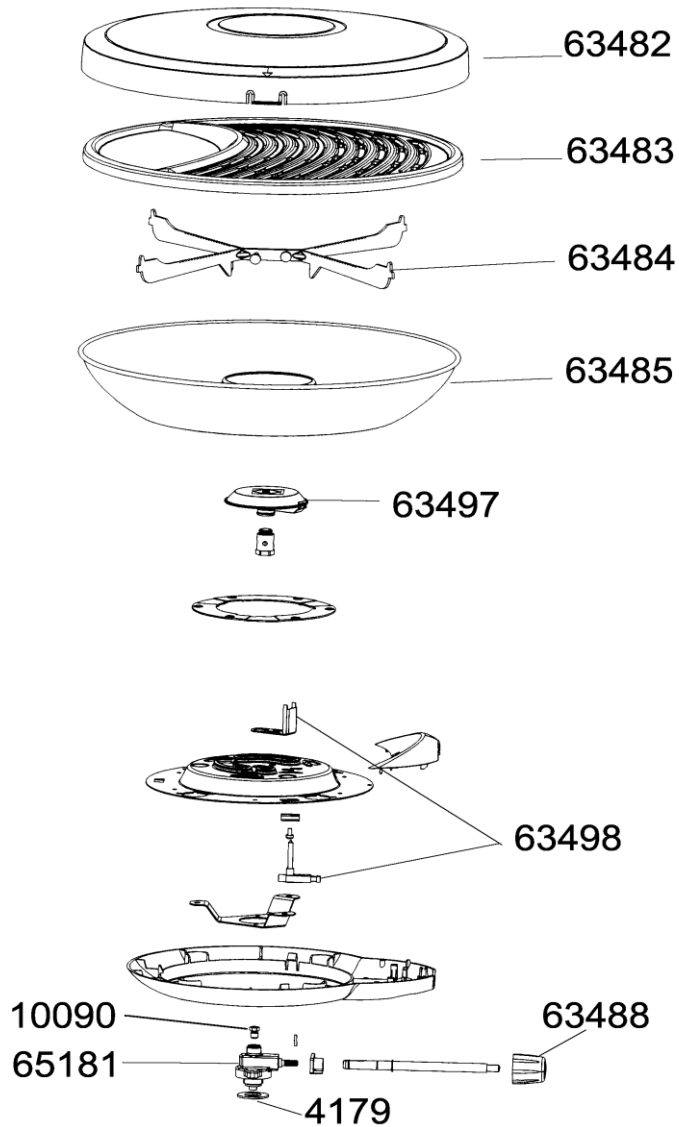


**PARTY GRILL ONTO CYLINDER
PARTY GRILL SUR RESERVOIR**



REF.	POINTS	GB DESIGNATIONS	DESIGNATIONS F
4179	70	FLAT WASHER (SET OF 20)	JOINT PLAT (x20)
10090	50	JET	INJECTEUR
63482	80	LID	COUVERCLE
63483	220	GRIL	GRIL
63484	40	PAN SUPPORT	BRAS SUPPORT
63485	135	BOWL	VASQUE
63488	30	KNOB	VOLANT
63497	70	BURNER	BRULEUR
63498	70	PIEZO IGNITOR + SUPPORT	ALLUMEUR PIEZO + SUPPORT
65181	80	TAP	ROBINET