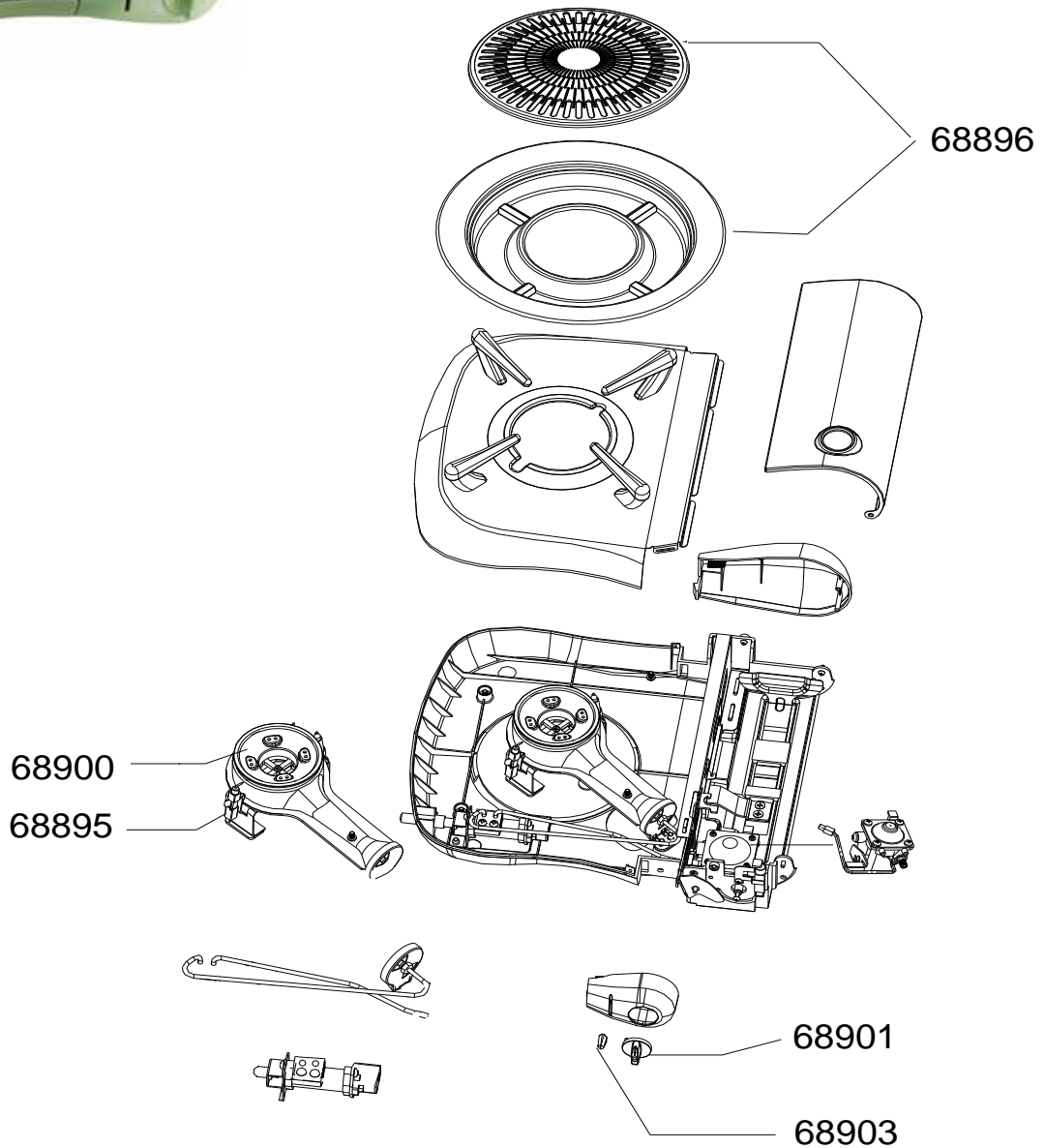


STOVES / RECHAUDS : BISTRO ACTIV



REF.	POINTS	GB DESIGNATIONS	DESIGNATIONS F
68895	40	ELECTRODE	ELECTRODE
68896	150	GRILL PLATE	PLAQUE GRILL
68900	50	BURNER TOP	BRULEUR (SANS VENTURI)
68901	30	BLUE KNOB	VOLANT BLEU
68903	30	BLUE LEVER BUTTON	EMBOUT BLEU LEVIER
68897	70	PACKAGING - BLUE MODEL	EMBALLAGE MODELE BLEU