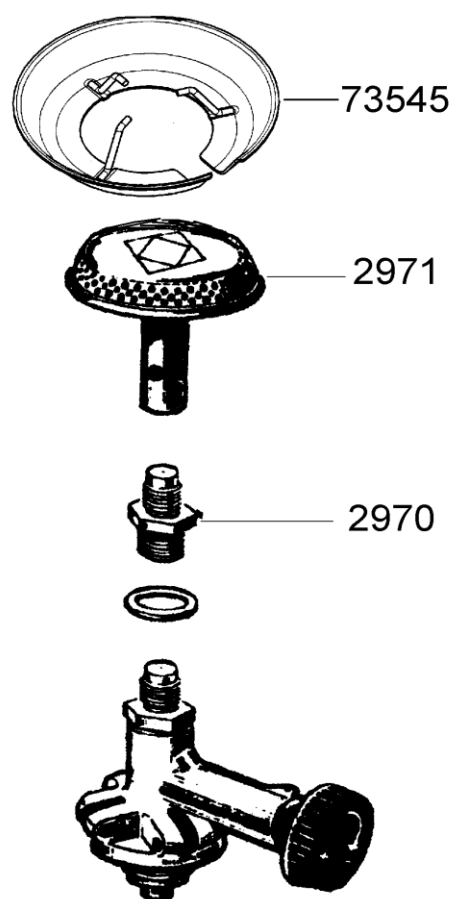
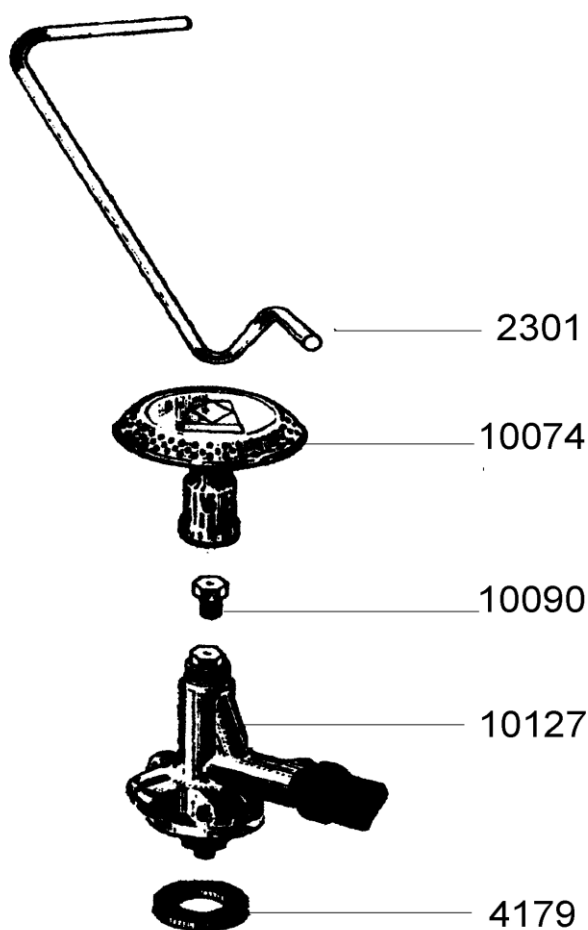
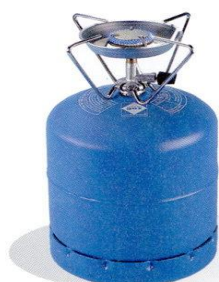


1 FEU R STOVE RECHAUD 1 FEU R



REF.	POINTS	GB DESIGNATIONS	DESIGNATIONS F
2301	107	PAN SUPPORT (SET OF 4)	BRAS SUPPORT (X4)
2970	30	JET (THREADED)	INJECTEUR FILETE
2971	70	BURNER THREADED (LARGE MODEL)	BRULEUR FILETE (GRAND MODELE)
4179	70	FLAT WASHER (SET OF 20)	JOINT PLAT (x20)
10074	60	BURNER	BRULEUR
10090	50	JET	INJECTEUR
10127	125	TAP UNIT	ROBINET
73545	50	WINDSHIELD	PARE VENT
64988	40	PACKAGING (W/WINDSHIELD)F.GB.D	EMBALLAGE (AV.PAREVENT) F.GB.D