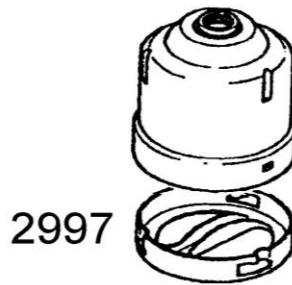
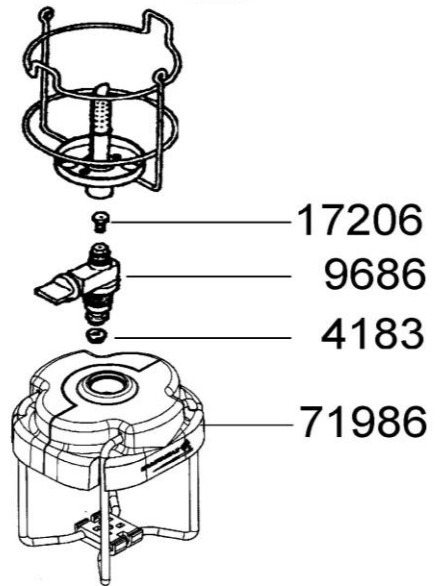
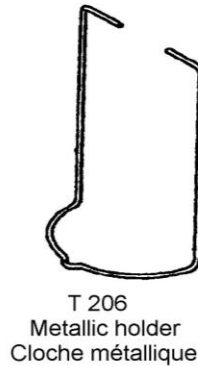
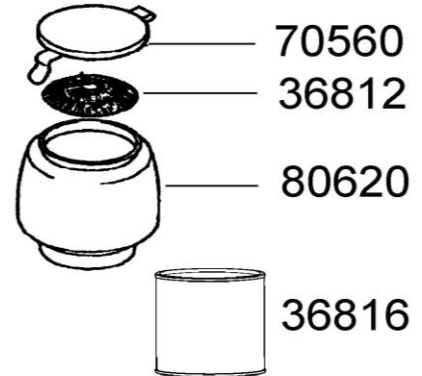
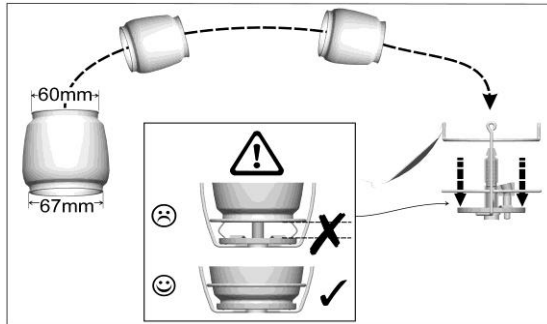
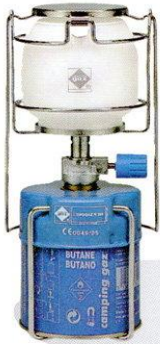


# LUMOGAZ : C - N & T 206



REF.	POINTS	GB - DESIGNATIONS	DESIGNATIONS - F -
2997	70	BAYONET BASE	SOCLE
4183	90	PISTON WASHER (X20)	JOINT ANTI FUIITE PISTON (X20)
9686	102	TAP	ROBINET
17206	50	JET	INJECTEUR
36812	40	ACCESSORY MANTLE SIZE S (X 3)	ACCESSOIRE MANCHON TAILLE S (X3)
36816	73	ACCESSORY GLOBE DIAMETER 80 - SIZE M	ACCESSOIRE VERRE DIAMETRE 80 -TAILLE M
70560	50	CAP	CHAPEAU
71986	120	ARTICULATED CARTRIDGE HOLDER	CLOCHE ARTICULEE
80620	100	ACCESSORY GLOBE - SIZE M	ACCESSOIRE VERRE - TAILLE M
72320	50	PACKAGING OLD MODEL	EMBALLAGE ANCIEN MODELE
82136	50	PACKAGING EUR2	EMBALLAGE EUR2