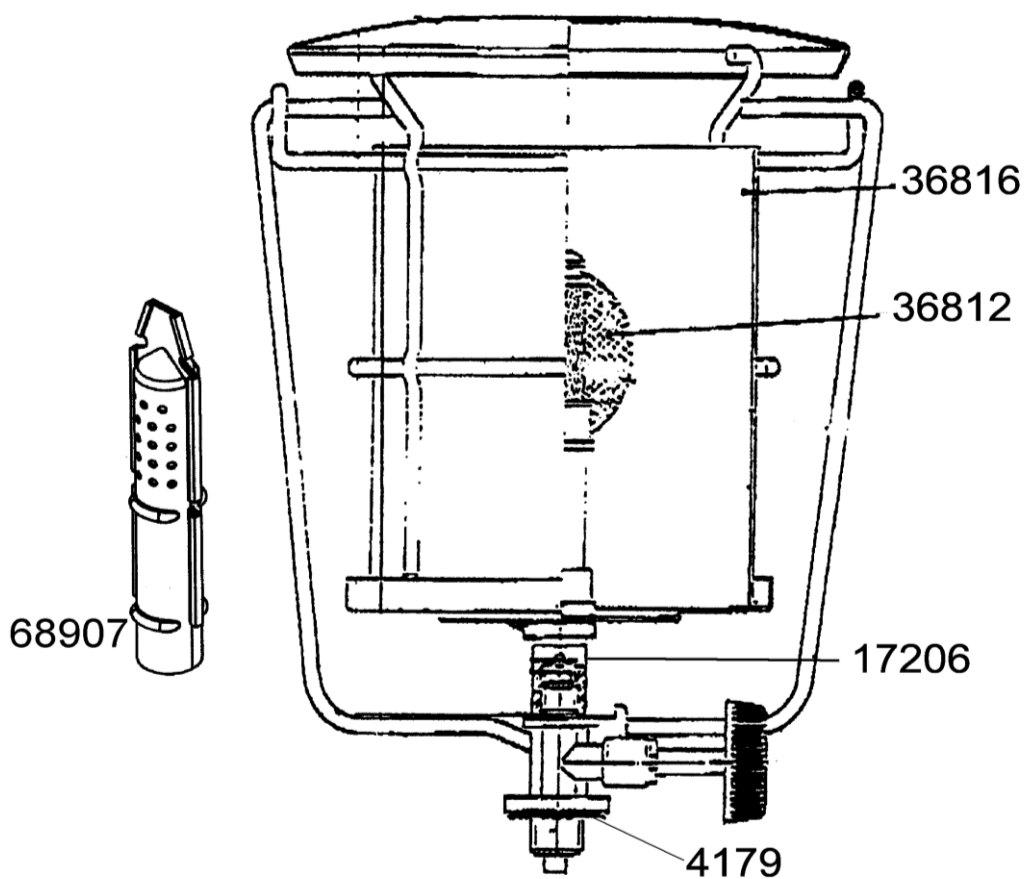


# LANTERN / LANTERNE : 600 RL



REF.	POINTS	GB DESIGNATIONS	DESIGNATIONS F
4179	70	FLAT WASHER (SET OF 20)	JOINT PLAT (x20)
17206	50	JET	INJECTEUR
36812	40	ACCESSORY MANTLE SIZE S (X 3)	ACCESSOIRE MANCHON TAILLE S (X3)
36816	73	ACCESSORY GLOBE DIAMETER 80 - SIZE M	ACCESSOIRE VERRE DIAMETRE 80 -TAILLE M
68907	60	BURNER	BRULEUR