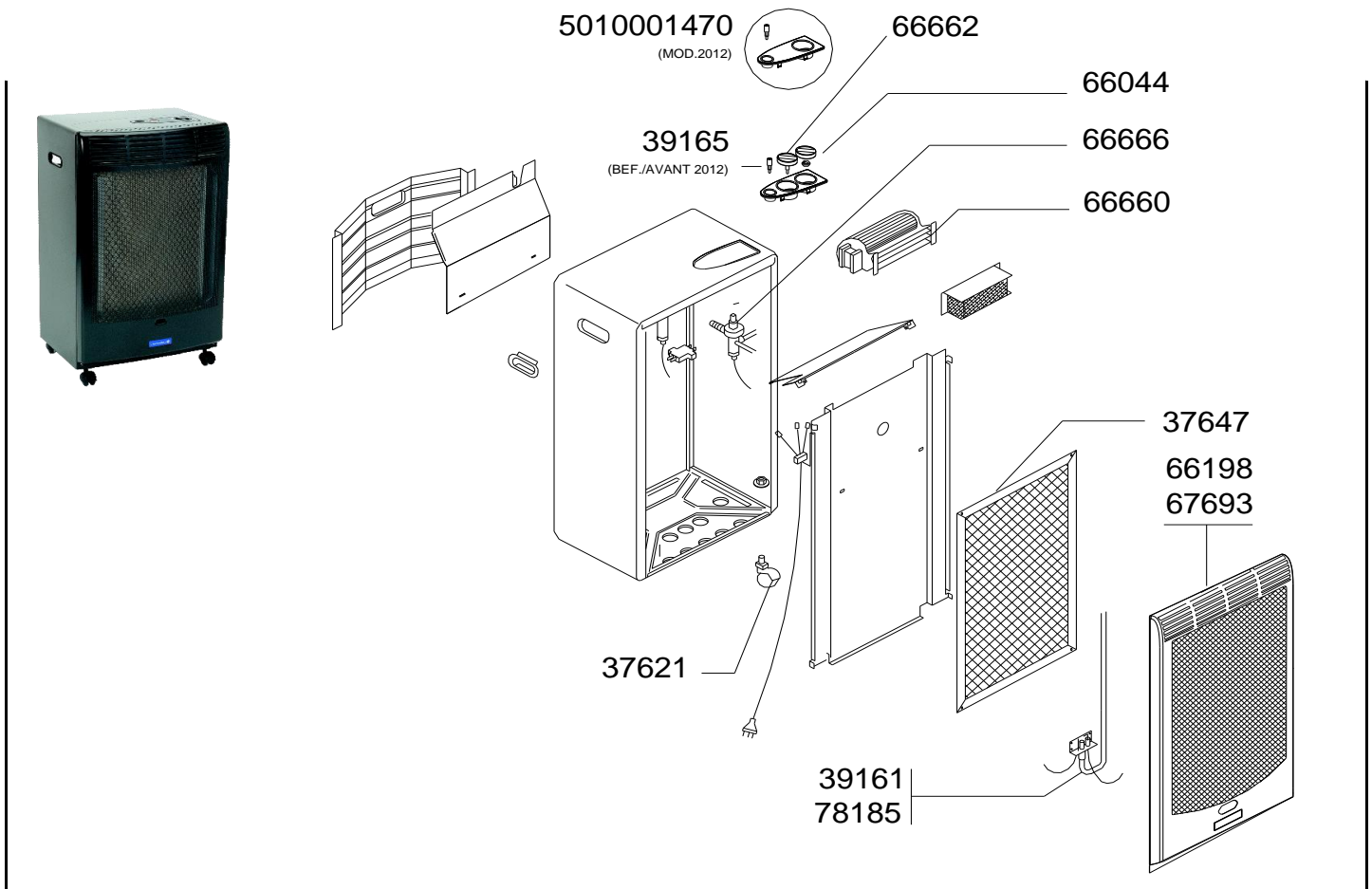


CATALYTIC HEATER / CHAUFFAGE CATALYTIQUE : CR 5000 TURBO & CR 5000 TURBO PLUS



REF.	POINTS	- GB - DESIGNATIONS	DESIGNATIONS - F -	CR - CH 5000 TURBO			CR 5000 TURBO +	
				ATHENA 5000 TURBO ITALY / Italie & CH 5000 TURBO	GERMANY / Allemagne	France	CR 5000 TURBO PLUS	CR 5000 TURBO PLUS MOD. 00/01
37621	50	WHEEL (X2)	ROUE (X2)	X	X	X	X	X
37647	340	CATALYTIC PANEL (MOD.BEFORE 2006)	PANNEAU CATALYTIQUE (MOD.AVANT 2006)	X	X	X	X	X
39161	150	GAS STOP DEVICE (FOR MALE CONNECTOR)	VEILLEUSE + THERMOCOUPLE (POUR RACCORD MALE)	X		X	X	X
39165	50	PIEZO IGNITER (BEFORE 2012)	PIEZO (AVANT 2012)	X	X	X	X	X
66044	30	VALVE KNOB	VOLANT VANNE	X	X	X	X	X
66198	175	FRONT PANEL - BLUE	FACADE AVANT BLEUE			X	X	X
66660	300	TURBO FAN	VENTILATEUR TURBO	X	X	X	X	
66662	80	SWITCH	INTERRUPTEUR	X	X	X		
66666	220	SAFETY VALVE	VANNE DE SECURITE	X		X	X	
67693	190	FRONT PANEL - GREY	FACADE AVANT - GRISE		X			
78185	150	GAS STOP DEVICE (FOR FEMALE CONNECTOR)	VEILLEUSE & THERMOCOUPLE (POUR RACCORD FEMELLE)	X		X	X	
5010001470	50	PIEZO IGNITER (MOD.2012)	PIEZO (MOD.2012)	X	X	X	X	X
71169	50	UPPER POLYSTYRENE WEDGE	CALE POLYSTYRENE SUPERIEURE		X	X		
71171	50	LOWER POLYSTYRENE WEDGE	CALE POLYSTYRENE INFERIEURE		X	X		
67701	70	PACKAGING	EMBALLAGE		X	X		