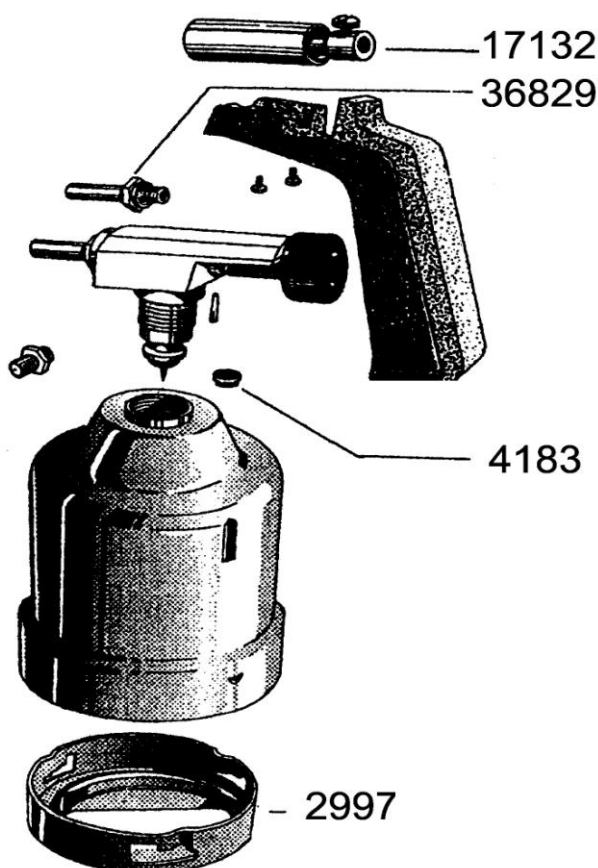
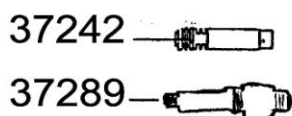


SOUDOGAZ T 206



IN ORDER TO USE TIP REF 37242,
IT IS NECESSARY TO ORDER THE
ADAPTATOR REF 37289

POUR POUVOIR MONTER LA BUSE
REF 37242, COMMANDER
L'ADAPTATEUR REF 37289



REF.	POINTS	GB - DESIGNATIONS	DESIGNATIONS - F
2997	70	BAYONET BASE	SOCLE
4183	90	PISTON WASHER (X20)	JOINT ANTI FUITE PISTON (X20)
17132	83	BURNER	BUSE MONTEE
36829	90	ADAPTATOR XT SOUDO T 206	ADAPTATEUR XT SOUDO T 206
37242	100	FINE FLAME BURNER X 1650	POINTE X 1650
37289	50	ADAPTOR	ADAPTATEUR