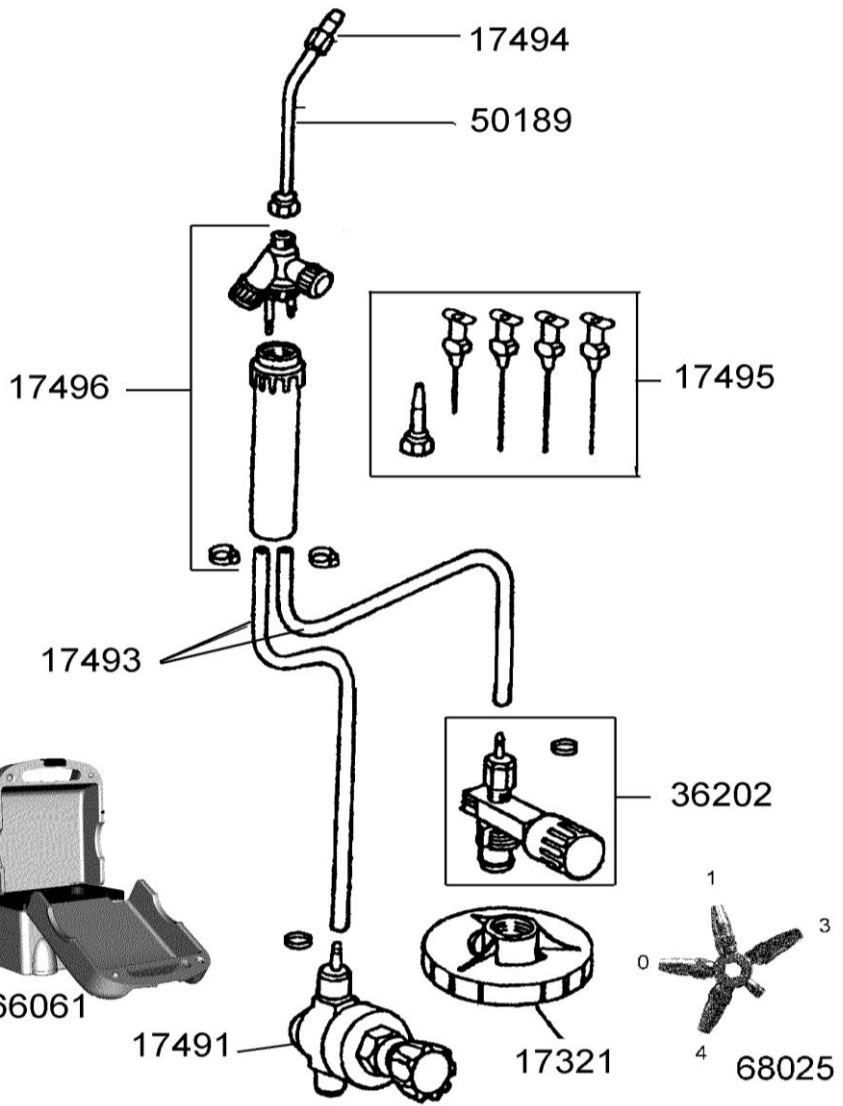


OXYPOWER 60 & CV60



17498 17499

REF.	POINTS	GB - DESIGNATIONS	DESIGNATIONS - F
17321	50	CONNECTION KNOB	PINCE D'ACCROCHAGE
17491	380	BLOWTORCH TAP OXYGEN + COLLARS	ROBINET DETENDEUR OXYGENE + COLLIERS
17493	180	O2 BUTANE HOSE+COLLARS+CLIP	TUYAU O2 BUTANE+COLLIERS+CLIP
17494	106	PILOT BURNER (X2)	BUSE PILOTE (X2)
17495	160	SET 4 FLOWRATE BURNERS+ADAPTATOR	JEU 4 MICROLANCES+ADAPTATEUR
17496	420	BLOWTORCH WITHOUT LANCE	CHALUMEAU SANS LANCE
17498	110	BLACK PROTECTION GLASSES	LUNETTE NOIRE
17499	90	GAS LIGHTER	ALLUME GAZ
36202	200	COMPLETE TAP + NON RETURN VALVE	ROB.+CLAPET ANTIRETOUR+COLLIER
50189	250	MALLEABLE LANCE BURNER	LANCE MALLEABLE
66061	300	BOX OXYPOWER CV 60	COFFRET OXYPOWER CV 60
68025	180	NOZZLE PLATE + NOZZLES No 0.1.3.4.	ETOILE BUSES No 0.1.3.4.
66062	50	PACKAGING OXYPOWER CV 60	EMBALLAGE OXYPOWER CV 60