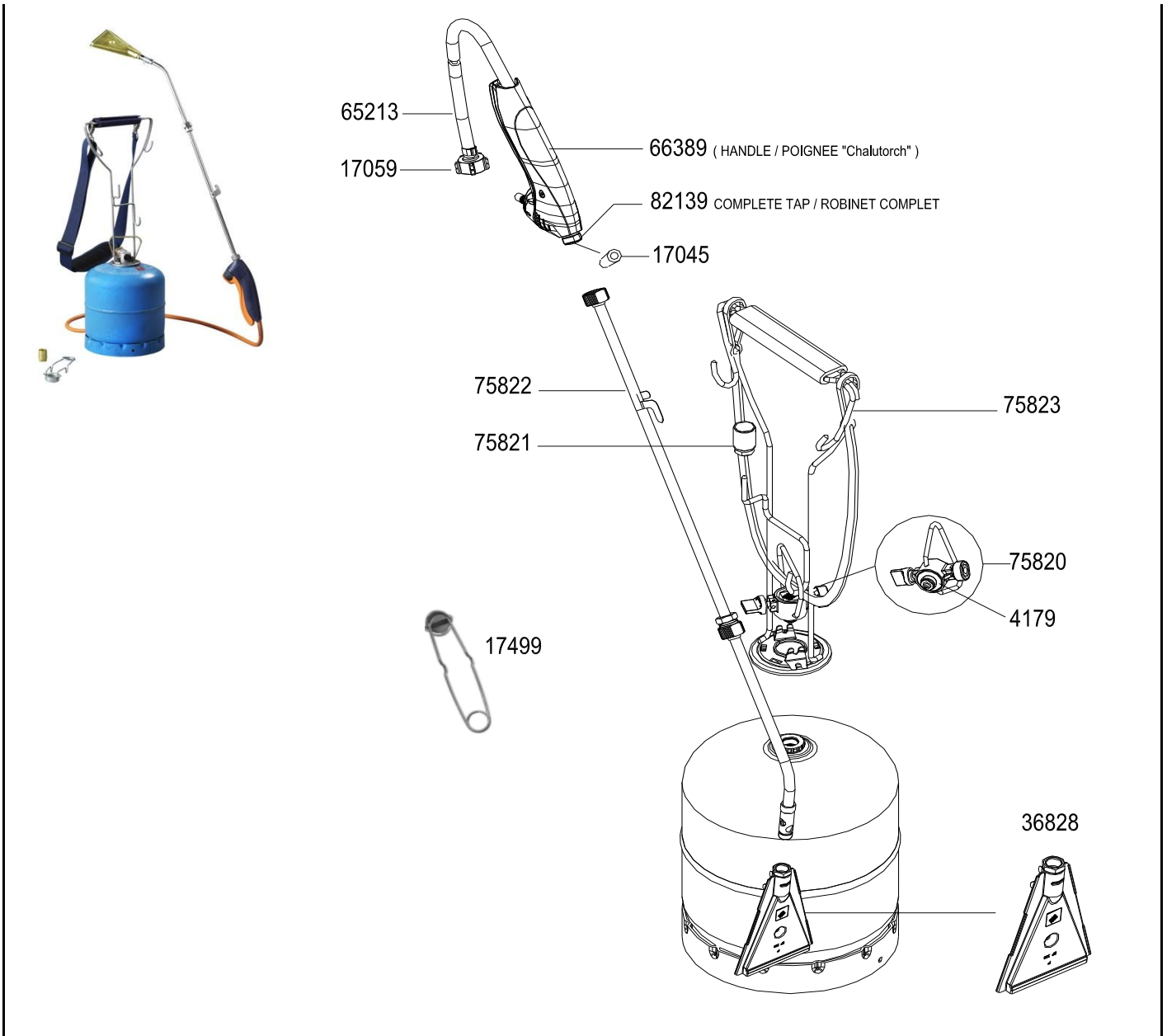


WEED KILLER / GARDEN TORCH - R



REF.	POINTS	GB - DESIGNATIONS	DESIGNATIONS - F -
4179	70	FLAT WASHER (SET OF 20)	JOINT PLAT (x20)
17045	50	WASHER (X10)	JOINT (X10)
17059	80	CONNECTOR DIAMETER 6,3	RACCORD BOUTEILLE DIAMETRE 6.3
17499	90	GAS LIGHTER	ALLUME GAZ
36828	180	BP 300 BURNER	BP 300
65213	200	HP HOSE LENGTH 4 M + COLLARS	TUYAU HP LG 4M + COLLIERS
66389	90	HANDLE	POIGNEE
75820	120	RELAIS TAP	ROBINET RELAIS
75821	170	BURNER L300	BRULEUR L300
75822	200	L2000 WITHOUT BURNER	LANCE L2000
75823	120	HANDLE	POIGNEE DE PORTAGE
82139	130	COMPLETE TAP	ROBINET COMPLET
80960	120	PACKAGING - MOD. COMBO	EMBALLAGE - MOD. COMBO