

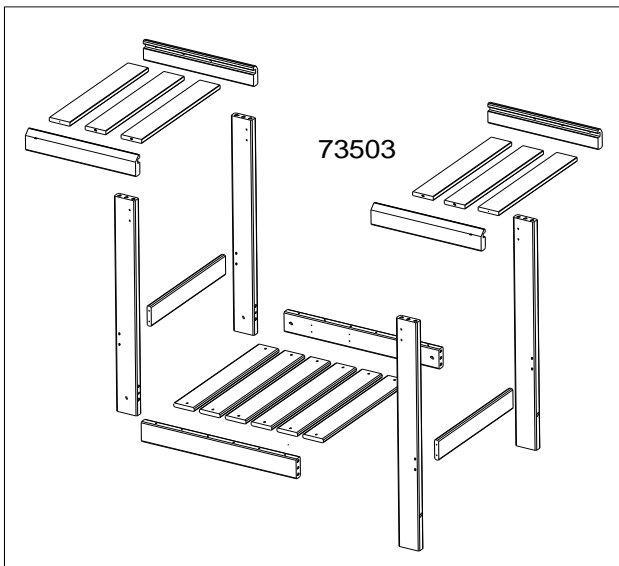
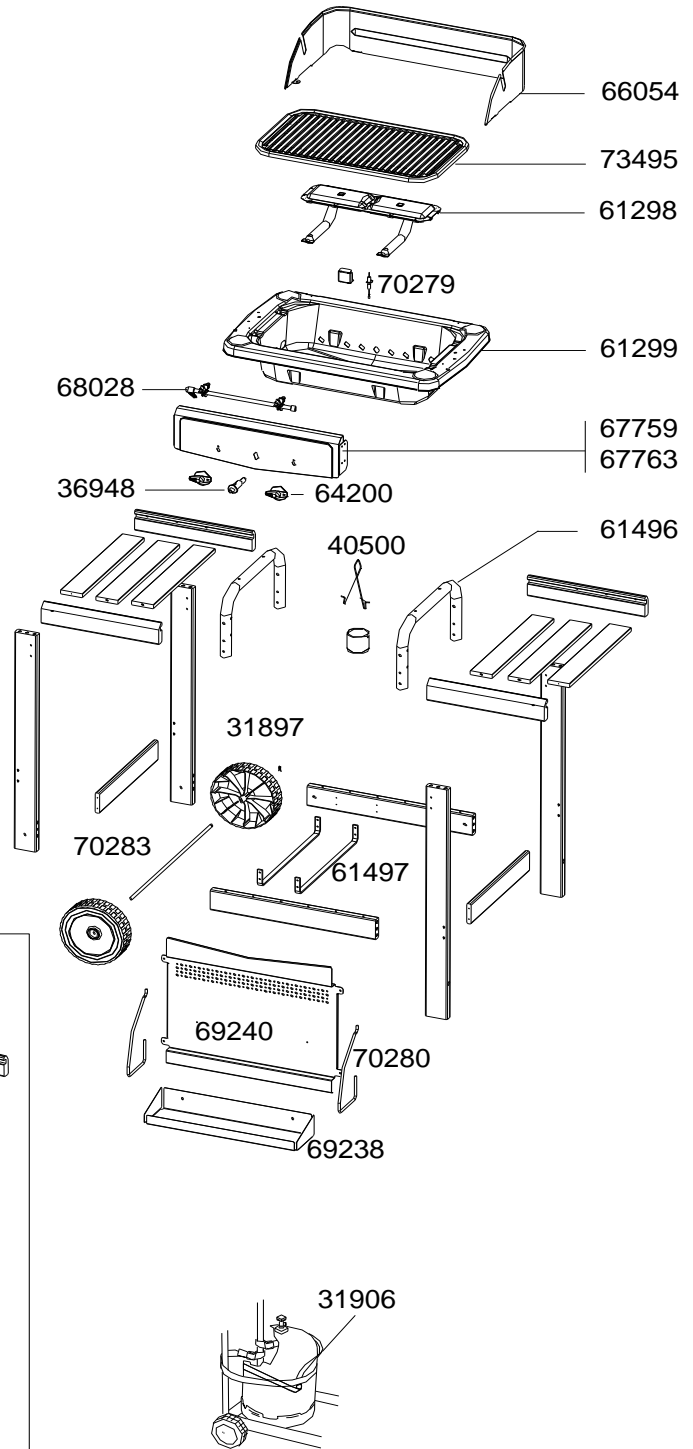
BARBECUES WOODY CONTACT & WOODY CONTACT ADVANTAGE



CONTACT



CONTACT ADVANTAGE



BARBECUES WOODY CONTACT & WOODY CONTACT ADVANTAGE



REF.	POINTS	GB - DESIGNATIONS	DESIGNATIONS - F -	CONTACT	CONTACT ADVANTAGE
31897	50	WHEEL DIAMETER 175 (X 1)	ROUE DIAMETRE 175 (X 1)	X	X
31906	30	CYLINDER STRAP	SANGLE BOUTEILLE	X	X
36948	60	SIMPLE IGNITER	PIEZO SIMPLE	X	X
40500	40	GREASE CAN + WIRE	BOITE A GRAISSE + FIL	X	X
61298	165	BURNER 28 Mb	BRULEUR 28 Mb	X	X
61299	295	BASE	CUVE	X	X
61496	70	GREY "U" TUBE	TUBE EN "U" GRIS	X	X
61497	50	CYLINDER SUPPORT	SUPPORT BOUTEILLE		X
64200	30	KNOBS (X 2)	VOLANTS (X2)	X	X
66054	160	WINDSHIELD	PAREVENT		X
67759	90	SILVER FRONT PANEL	CONSOLE ARGENT		X
67763	100	GREY FRONT PANEL	CONSOLE GRISE	X	
68028	150	GAS PIPE 28 MBAR - EXPORT NOZZLE	TUBULURE 28 MBAR - ABOUT EXPORT	X	X
69238	100	SHEET METAL BASKET	PANIER TOLE		X
69240	130	CYLINDER COVER	CACHE BOUTEILLE		X
70279	50	ELECTRODE + HOLDER	ELECTRODE + CACHE ELECTRODE	X	X
70280	30	BASKET WIRE	FIL PANIER		X
70283	30	WHEEL AXLE	AXE DE ROUE	X	X
73495	200	CAST-IRON GRID	GRILLE FONTE	X	X
73503	700	WOODEN TROLLEY	CHARIOT BOIS		X