

**BARBECUES : 3 - 4 SERIES RBS
L - LS - LXS - EXS
CLASS 3 - ESTATE**



**3 SERIES RBS L
CLASS 3 RBS L**



3 SERIES RBS LS



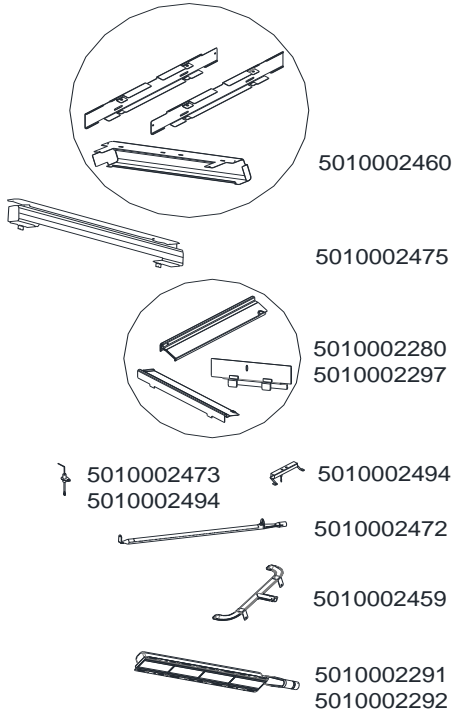
**4 SERIES RBS LXS
4 SERIES ESTATE RBS LXS**



4 SERIES RBS EXS

**BARBECUES : 3 - 4 SERIES RBS
L - LS - LXS - EXS
CLASS 3 - ESTATE**

**DETAILED PARTS FOR BASE
PIECES DETAILLEES POUR CUVE**

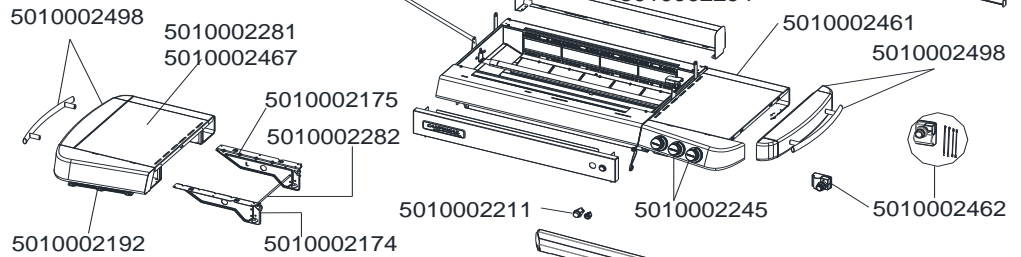
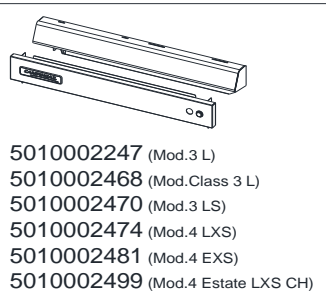


Screw Bag /
Sachet de vis
5010002286

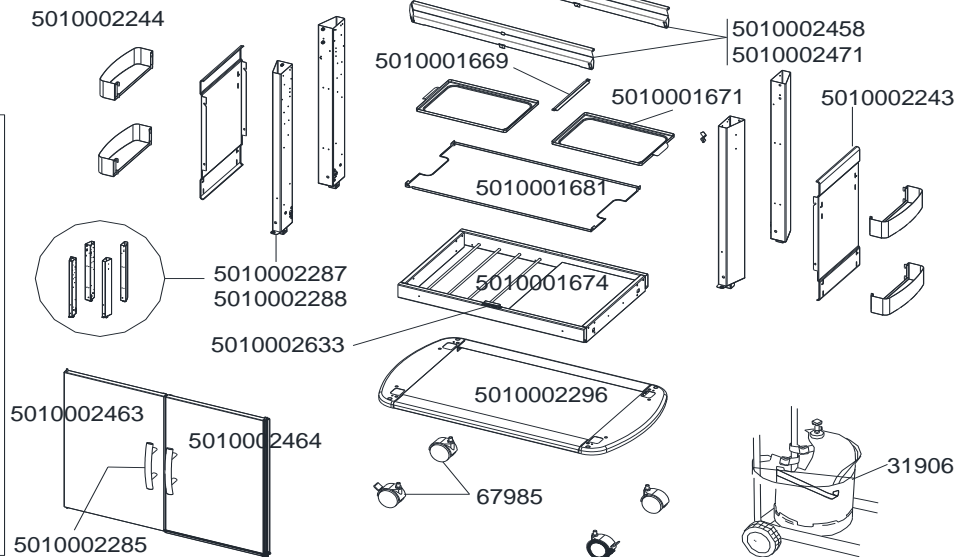
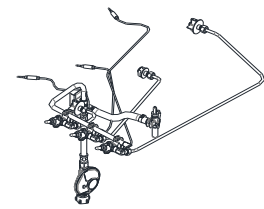
Jet (Central Burner) /
Injecteur (Brûleur Central) :
5010002602 (50 Mb)
36206 (28Mb)
78173 (28Mb)

Jet (Ceramic Burner) /
Injecteur (Brûleur Céramique) :
5010002164 (50Mb)
5010002537 (28Mb)

FOR SIDE STOVE,
CF. SPECIFIC SCHEME
POUR RECHAUD LATERAL,
VOIR ECLATE SPECIFIQUE



5010002465 (Exp.)
5010002466 (Stove / Réchaud lat. Exp.)
5010002479 (Stove / Réchaud lat. Fr)
5010002480 (De)
5010002495 (Stove / Réchaud lat. De)
5010002496 (Fr)
5010002497 (Stove / Réchaud lat. Fr)



**BARBECUES : 3 - 4 SERIES RBS
L - LS - LXS - EXS
CLASS 3 - ESTATE**



SPARE PARTS REF.	POINTS	EN DESCRIPTIONS	FR DESCRIPTIONS	3 SERIES RBS L CLASS 3 RBS L	3 SERIES RBS LS	4 SERIES RBS LXS 4 SERIES ESTATE RBS LXS	4 SERIES RBS EXS
31906	30	CYLINDER STRAP	SANGLE BOUTEILLE	X	X	X	X
36206	50	JET	INJECTEUR	X	X		
67985	80	SET OF WHEELS (x2)	ENSEMBLE ROUES (x2)	X	X	X	X
78173	50	KIT OF JETS (x3)	JEU D' INJECTEURS (x3)			X	X
81008	80	DEFLECTOR	DEFLECTEUR	X	X	X	X
5010001656	250	CAST IRON GRID (FRAME + CIRCLE)	GRILLE DE CUISSON FONTE (CADRE + CERCLE)			X	X
5010001668	110	WARMING GRID	GRILLE DE MIJOTAGE	X	X	X	X
5010001669	20	GREASE DRAWER TENT	TENTE TIROIR RAMASSE GRAISSE	X	X	X	X
5010001671	40	GREASE PLATE	PLATEAU RAMASSE GRAISSE	X	X	X	X
5010001674	220	CHASSIS	CHASSIS	X	X	X	X
5010001677	300	CAST IRON GRIDDLE	PLAQUE CUISSON FONTE			X	X
5010001681	60	HEAT SHIELD	PARE CHALEUR	X	X	X	X
5010001682	100	REAR PANEL	PANNEAU ARRIERE			X	X
5010002164	30	JET	INJECTEUR			X	X
5010002171	60	THERMOMETER + ACCESSORIES	THERMOMETRE + ACCESSOIRES	X	X	X	X
5010002174	50	RIGHT SIDE SHELF SUPPORT	SUPPORT DROIT ETAGERE	X	X	X	X
5010002175	50	LEFT SIDE SHELF SUPPORT	SUPPORT GAUCHE ETAGERE	X	X	X	X
5010002188	60	HANDLE + INSULATING + ENDS	POIGNEE + ISOLANT + EMBOUTS	X	X	X	X
5010002192	40	USENSIL HOOK	PORTE USTENSILES	X	X	X	X
5010002211	40	PUSH BUTTON ELECTRONIC IGNITOR	BOUTTON POUSSOIR TRAIN D'ETINCELLE	X	X	X	X
5010002243	60	LATERAL PANEL	PANNEAU LATERAL	X	X	X	X
5010002244	60	LATERAL BASKET	PANIER LATERAL	X	X	X	X
5010002245	40	KNOB (x2)	VOLANTS (x2)	X	X	X	X
5010002246	60	WINDSHIELD	PAREVENT	X	X		
5010002247	120	TOP + BOTTOM FRONT PANEL	CONSOLE HAUT + BAS	X			
5010002280	130	REMOVABLE BASE	CUVE AMOVIBLE	X	X		
5010002281	220	LEFT SIDE TABLE	ETAGERE GAUCHE	X	X		
5010002282	30	REINFORCEMENT WIRE SIDE SHELF	FIL RENFORT ETAGERE	X	X	X	X
5010002283	240	CAST IRON GRIDDLE	PLAQUE DE CUISSON FONTE	X	X		
5010002284	240	CAST IRON GRID + FRAME	GRILLE DE CUISSON FONTE (CADRE + CERCLE)	X	X		
5010002285	50	DOOR HANDLE	POIGNEE DE PORTE	X	X	X	X
5010002286	70	SCREW BAG	SACHET DE VIS	X	X	X	X
5010002287	280	KIT LEGS (x4)	KIT PIEDS (x4)	X			
5010002288	280	KIT LEGS (x4)	KIT PIEDS (x4)		X	X	X
5010002289	700	LID	COUVERCLE	X	X	X	
5010002290	750	LID	COUVERCLE				X
5010002291	480	BURNER 28Mb	BRULEUR 28Mb	X	X	X	X
5010002292	480	BURNER 50Mb	BRULEUR 50Mb	X		X	X
5010002294	40	WINDSHIELD	PAREVENT			X	X
5010002295	110	CENTRAL BURNER TENT	TENTE BRULEUR CENTRAL			X	X
5010002296	50	SKIRT	JUPE		X	X	X
5010002297	90	REMOVABLE BASE	CUVE AMOVIBLE			X	X
5010002458	50	GREASE DRAWER RAILS (x2)	RAILS POUR TIROIR A GRAISSE (x2)	X	X		
5010002459	160	CROSS LIGHTING BURNER	BRULEUR INTER ALLUMAGE	X	X		
5010002460	80	SPACERS FOR BASE	ENTRETOISES POUR CUVE	X	X		

**BARBECUES : 3 - 4 SERIES RBS
L - LS - LXS - EXS
CLASS 3 - ESTATE**

SPARE PARTS REF.	POINTS	EN DESCRIPTIONS	FR DESCRIPTIONS	3 SERIES RBS L CLASS 3 RBS L	3 SERIES RBS LS	4 SERIES RBS LXS 4 SERIES ESTATE RBS LXS	4 SERIES RBS EXS
5010002461	200	RIGHT SIDE TABLE	TABLETTE LATERALE DROITE	X			
5010002462	130	ELECTRONIC IGNITION SET	KIT ALLUMAGE ELECTRONIQUE	X	X	X	X
5010002463	200	LEFT DOOR	PORTE GAUCHE	X	X	X	X
5010002464	200	RIGHT DOOR	PORTE DROITE	X	X	X	X
5010002465	300	GAS PIPE 28Mb - EXPORT	TUBULURE 28Mb - EXPORT	X			
5010002466	300	STOVE GAS PIPE 28Mb - EXPORT	TUBULURE RECHAUD 28Mb - EXPORT			X	X
5010002467	300	LEFT SIDE TABLE + HANDLE	TABLETTE LATERALE GAUCHE			X	X
5010002468	200	TOP + BOTTOM FRONT PANEL (Class 3)	CONSOLE HAUT + BAS (Class 3)	X			
5010002470	200	TOP + BOTTOM FRONT PANEL	CONSOLE HAUT + BAS		X		
5010002471	50	GREASE DRAWER RAILS (x2)	RAILS POUR TIROIR A GRAISSE (x2)			X	X
5010002472	130	CENTRAL BURNER	BRULEUR CENTRAL			X	X
5010002473	50	ELECTRODE CENTRAL BURNER	ELECTRODE POUR BRULEUR CENTRAL			X	X
5010002474	220	TOP + BOTTOM FRONT PANEL	CONSOLE HAUT + BAS			X	
5010002475	60	REAR SPACER FOR BASE	ENTRETOISE ARRIERE POUR CUVE			X	X
5010002479	300	STOVE GAS PIPE 28Mb - 1/2" (Fr)	TUBULURE RECHAUD 28Mb - 1/2" (Fr)		X		
5010002480	300	GAS PIPE 50Mb - 1/4" (De)	TUBULURE 50Mb - 1/4" (De)	X			
5010002481	190	TOP + BOTTOM FRONT PANEL	CONSOLE HAUT + BAS				X
5010002482	150	BACKLIGHTING SYSTEM	SYSTEME RETROECLAIRAGE				X
5010002483	100	GLASS + BRACKETS	VITRE + EQUERRES				X
5010002494	60	ELECTRODE + HOUSING (FRONT + REAR)	ELECTRODE + SUPPORT (AVANT + ARRIERE)	X	X		
5010002495	270	STOVE GAS PIPE 50Mb - 1/4" (De)	TUBULURE RECHAUD 50Mb - 1/4" (De)			X	X
5010002496	250	GAS PIPE 28Mb - 1/2" (Fr)	TUBULURE 28Mb - 1/2" (Fr)	X			
5010002497	250	STOVE GAS PIPE 28Mb - 1/2" (Fr)	TUBULURE RECHAUD 28Mb - 1/2" (Fr)			X	X
5010002498	70	SIDE TABLE END + HANDLE	ENJOLIVEUR + POIGNEE	X	X	X	X
5010002499	190	TOP + BOTTOM CONTROL PANEL (CH)	CONSOLES HAUT + BAS (CH)			X	
5010002537	50	JET	INJECTEUR	X	X	X	X
5010002602	30	JET	INJECTEUR			X	
5010002633	50	MAGNETS (X2) SERIES CLASSIC & RBS	AIMANTS (X2) SERIES CLASSIC & RBS	X	X	X	X
5010002634	50	THERMOMETER	THERMOMETRE	X	X	X	X
5010002357	130	PACKAGING	EMBALLAGE	X			
5010002358	130	PACKAGING	EMBALLAGE		X		
5010002359	130	PACKAGING (Class 3)	EMBALLAGE (Class 3)	X			
5010002360	150	PACKAGING	EMBALLAGE			X	
5010002361	150	PACKAGING	EMBALLAGE				X