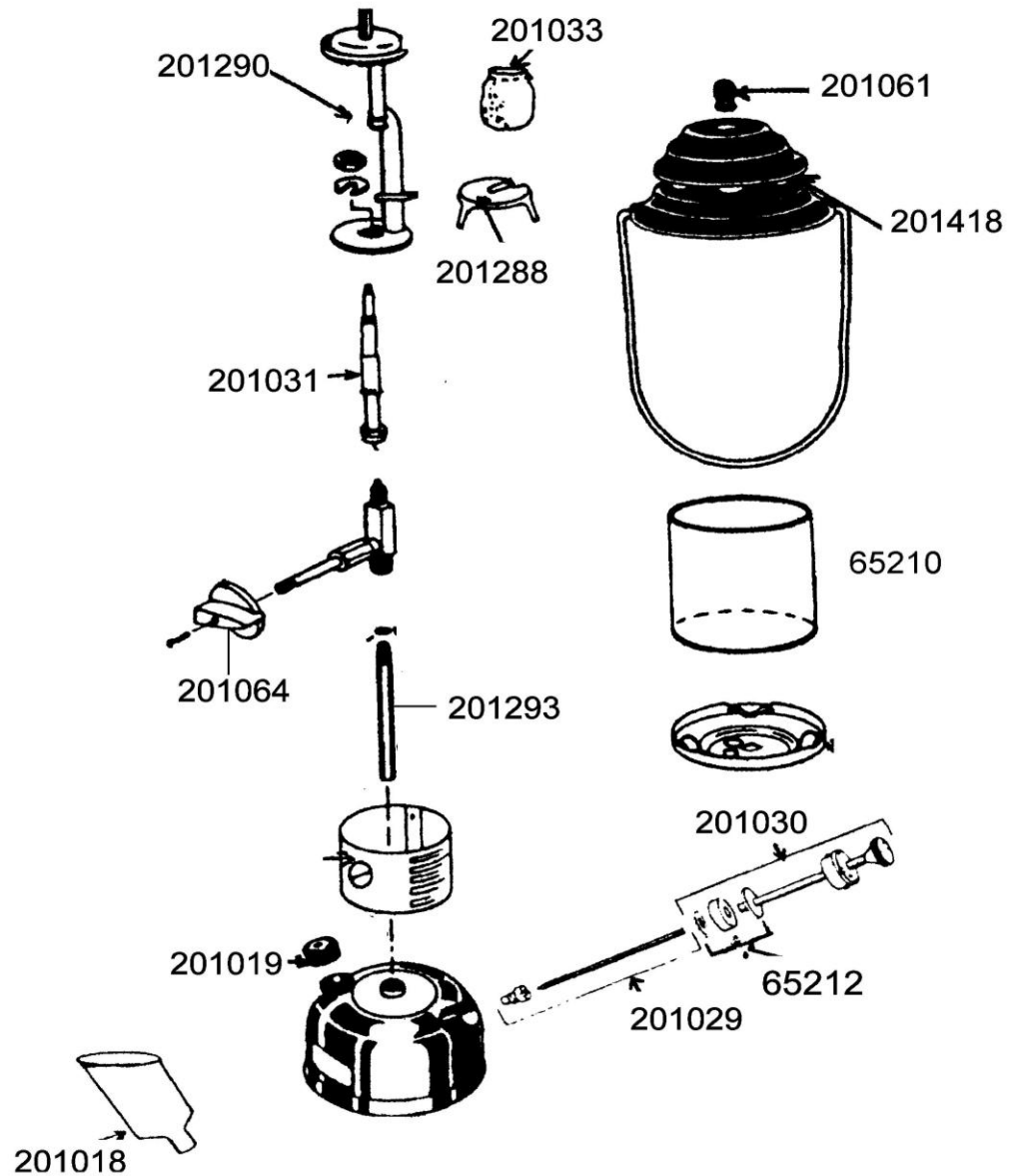


UNLEADED FUEL LANTERN (282) LANTERNE A ESSENCE



REF.	POINTS	GB DESIGNATIONS	DESIGNATIONS F
65210	110	GLOBE DIAMETER 110	VERRE DIAMETRE 110
65212	80	PUMP CUP & CLIP (BLISTER PKG)	JOINT PISTON POMPE (BLISTER)
201018	60	FILTER FUNNEL	ENTONNOIR
201019	70	FILLER CAP	BOUCHON DE REMPLISSAGE
201029	50	AIR STEM AND CHECK VALVE	ENSEMBLE CLAPET DE RETENUE
201030	100	PUMP PLUNGER (OLD&CURRENT MOD)	PLONGEUR POMPE(ANCIEN&ACTUEL)
201031	110	GENERATOR	GENERATEUR
201033	45	MANTLE (X2)	MANCHON (X2)
201061	50	CAP SCREW (X2)	ECROU CHAPEAU (X2)
201064	50	KNOB & SCREW	VOLANT & VIS
201288	40	HEAT SHIELD	PARE CHALEUR
201290	150	BURNER ASSEMBLY	ENSEMBLE BRULEUR
201293	50	FEED TUBE ASSEMBLY	ENSEMBLE TUBE ALIMENTATION
201418	160	CAP & BAIL	CHAPEAU + ANSE