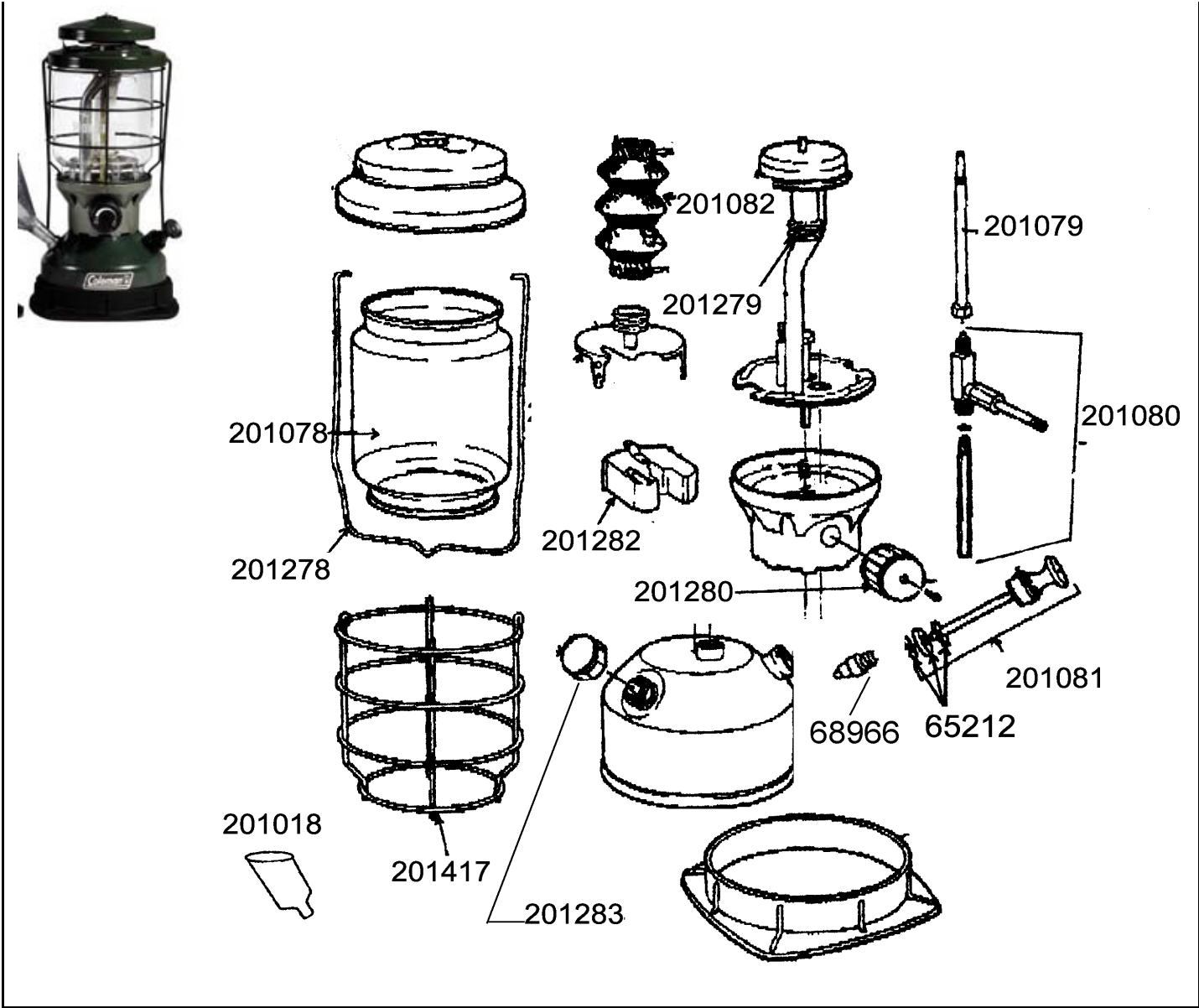


**UNLEADED FUEL LANTERN (2000)
LANTERNE A ESSENCE
"NORTHSTAR"**



REF.	POINTS	GB DESIGNATIONS	DESIGNATIONS F
65212	80	PUMP CUP & CLIP (BLISTER PKG)	JOINT PISTON POMPE (BLISTER)
68966	180	CHECK VALVE	CLAPET DE RETENUE
201018	60	FILTER FUNNEL	ENTONNOIR
201078	130	GLOBE	VERRE
201079	110	GENERATOR	GENERATEUR
201080	130	VALVE ASSEMBLY	ROBINET
201081	100	PUMP PLUNGER	PLONGEUR DE POMPE
201082	80	MANTLE (X2)	MANCHON (X2)
201278	80	BAIL	ANSE
201279	210	BURNER ASSEMBLY	BRULEUR
201280	50	CONTROL KNOB	VOLANT ROBINET
201282	200	ELECTRONIC IGNITOR MODULE	MODULE ALLUMEUR ELECTRONIQUE
201283	70	FILLER CAP	BOUCHON RESERVOIR
201417	120	GLOBE GUARD	CAGE