

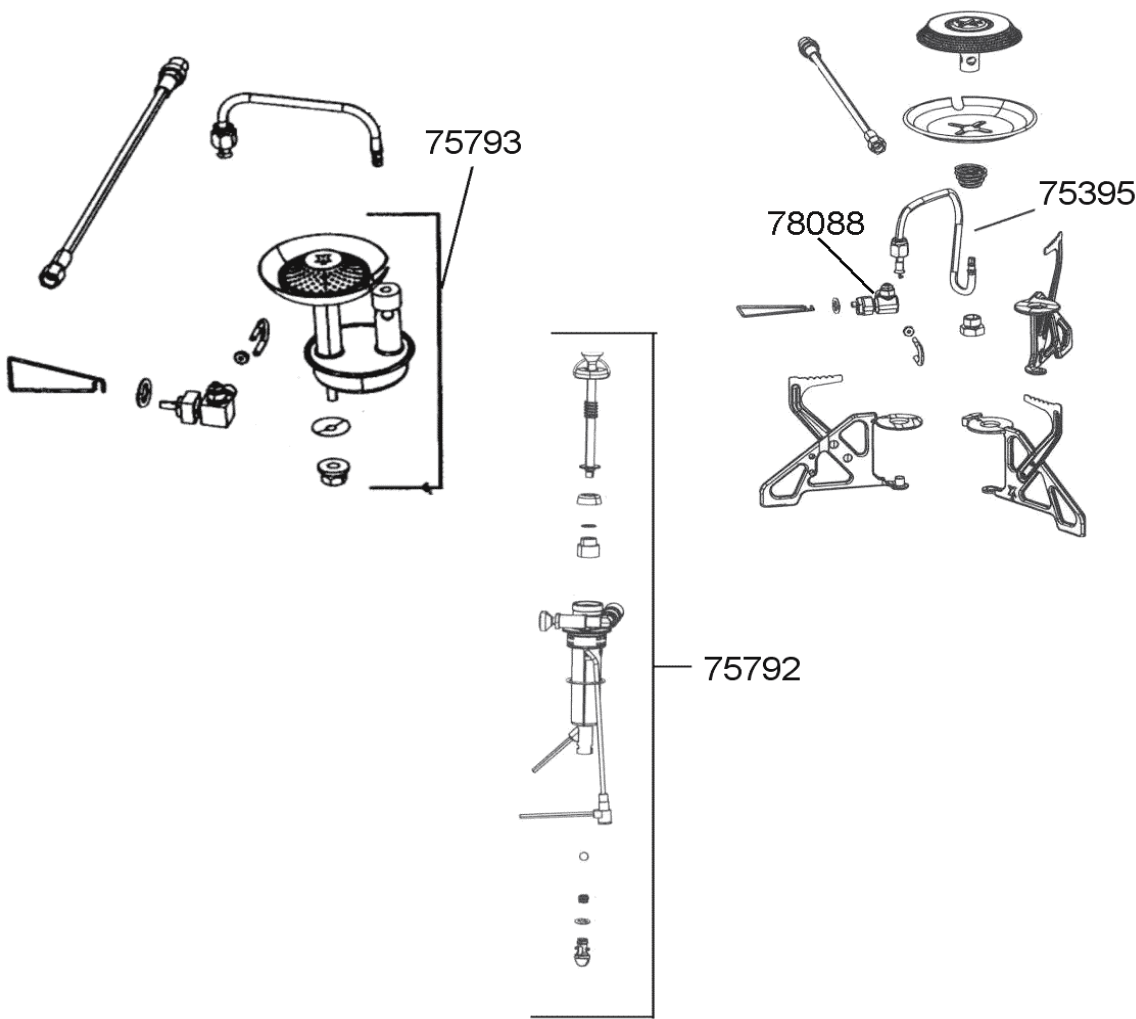
STOVES/RECHAUDS : FYRESTORM STAINLESS STEEL/INOX & PULSTAR



PULSTAR



FYRESTORM INOX & TITANE



REF	POINTS	GB DESIGNATIONS	DESIGNATIONS F		
				FYRESTORM	PULSTAR
75395	200	GENERATOR	GENERATEUR	X	
75792	530	PUMP & VALVE	ENSEMBLE POMPE & ROBINET	X	X
75793	250	FULL BURNER AND HARDWARE	ENSEMBLE BRULEUR		X
78088	80	VALVE	VANNE	X	