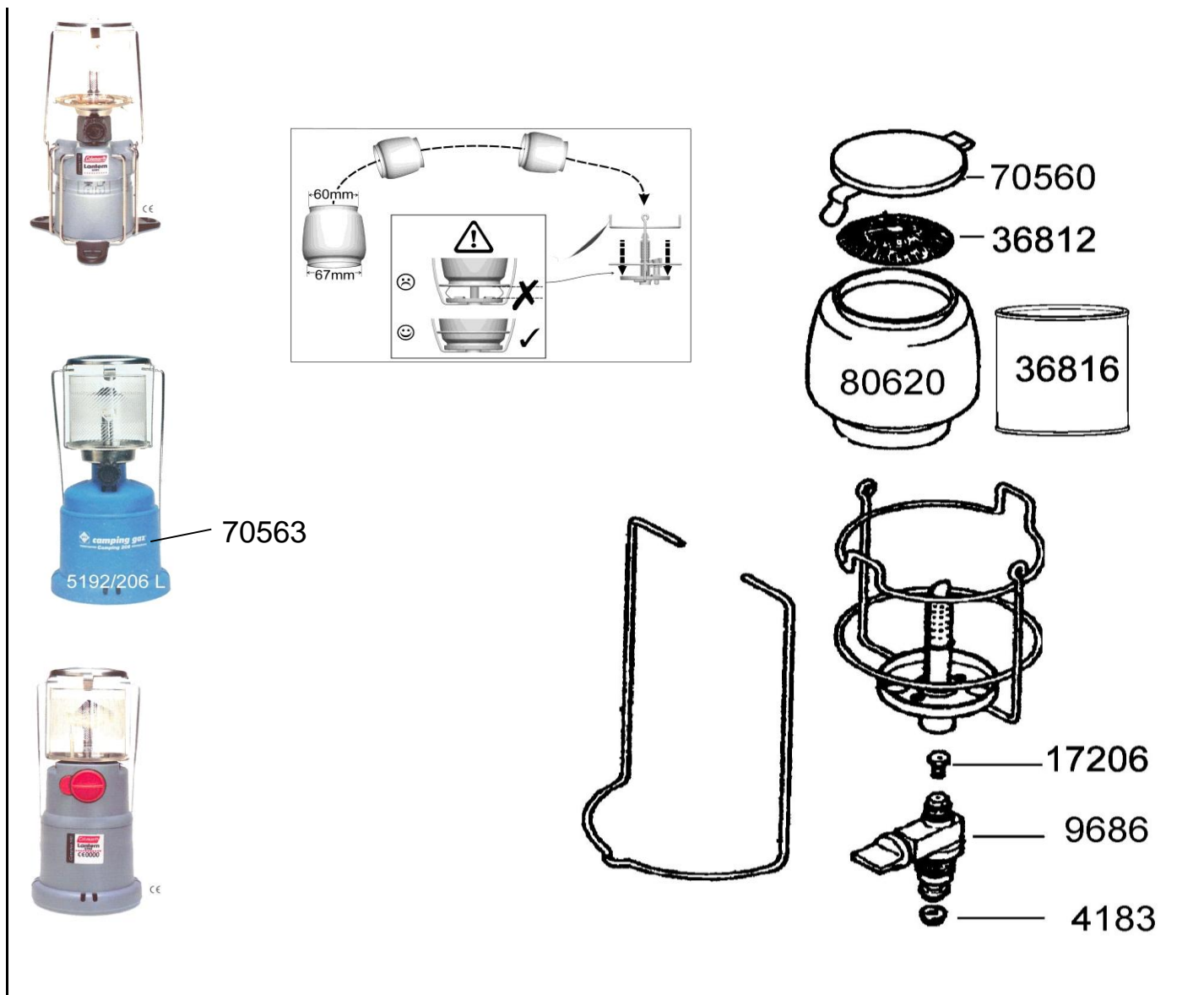


**LANTERNS / LANTERNES :**  
**COMPACT 190 (5191)**  
**OUTDOOR 190 (5192), CAMPING 206 L,**  
**190 CAMPFIRE (5193)**



The Outdoor Company™



REF.	POINTS	GB DESIGNATIONS	DESIGNATIONS F	5191	CAMPING 206 L	5192	5193
4183	90	PISTON WASHER (X20)	JOINT ANTI FUIITE PISTON (X20)	X	X	X	X
9686	102	TAP	ROBINET		X		
17206	50	JET	INJECTEUR	X	X	X	X
36812	40	ACCESSORY MANTLE SIZE S (X 3)	ACCESSOIRE MANCHON TAILLE S (X3)	X	X	X	X
36816	73	ACCESSORY GLOBE DIAMETER 80 - SIZE M	ACCESSOIRE VERRE DIAMETRE 80 -TAILLE M	X		X	X
70560	50	CAP	CHAPEAU		X	X	
70563	60	PLASTIC CARTRIDGE HOLDER	CLOCHE PLASTIQUE		X	X	
80620	100	ACCESSORY GLOBE - SIZE M	ACCESSOIRE VERRE - TAILLE M		X		
82137	50	PACKAGING EUR2	EMBALLAGE EUR2		X		