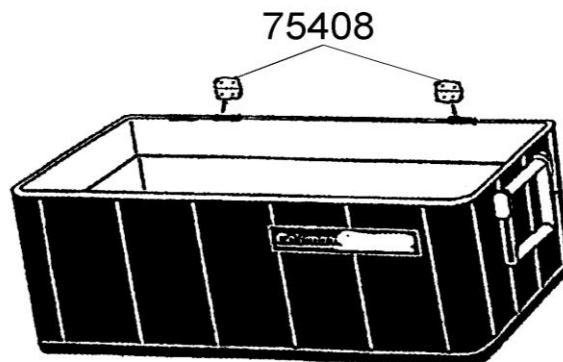
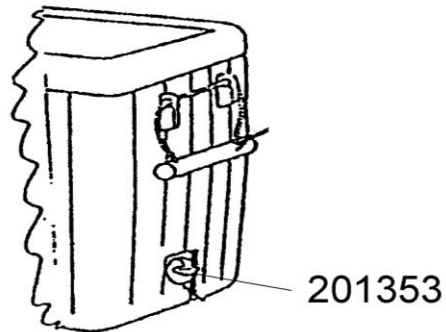
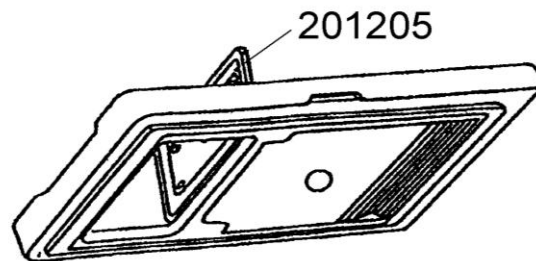


**COOLERS : KWIK SERVE (5235 & 5245) &
FISH-N-TACKLE (5239)
GLACIERES KWIK SERVE
& FISH-N-TACKLE**



REF.	POINTS	GB - DESIGNATIONS	DESIGNATIONS - F	5235	5245	5239
75408	60	HINGES (x2)	CHARNIERES (x2)	X	X	
201205	50	HINGES	CHARNIERES			X
201353	90	DRAIN	PUITS DE VIDANGE	X	X	X