

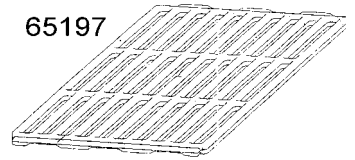
**THERMO-ELECTRIC COOLERS :  
GLACIERES THERMO-ELECTRIQUES:  
POWERBOX 36 L & SUPER POWERCHILL 36 L  
& 36 L CLASSIC**



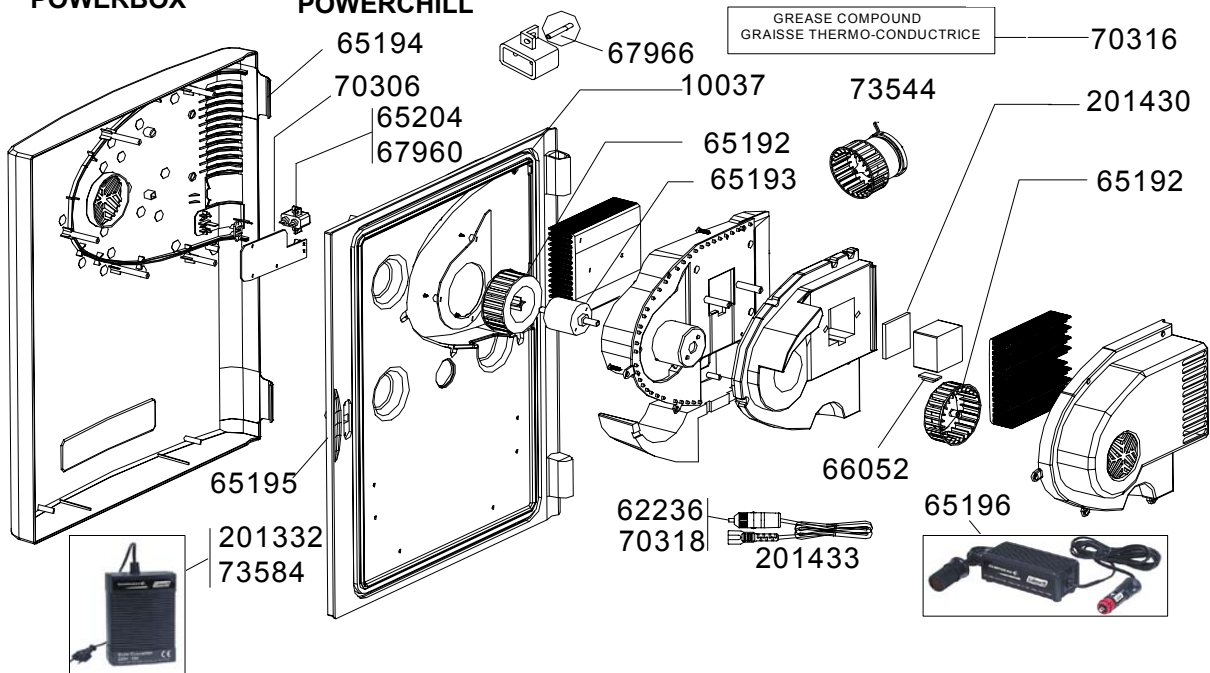
**POWERBOX**



**POWERCHILL**



65197



REF.	POINTS	GB DESIGNATIONS	DESIGNATIONS F	POWERBOX	POWERCHILL	CLASSIC
10037	50	LID SEAL	JOINT DE COUVERCLE	X	X	X
62236	30	FUSE (X2) 7A/250V (6x30)	FUSIBLE (X2) 7A/250V (6x30)	X	X	X
65192	50	PROPELLERS	ENSEMBLE HELICES	X	X	X
65193	120	MOTOR - OLD MODEL	MOTEUR - ANCIEN MODELE	X	X	X
65194	40	HINGES (X2)	CHARNIERES (X 2)	X	X	X
65195	50	LID LOCK	FERMETURE COUVERCLE	X	X	X
65196	320	CONVERTER 24V/12V	CONVERTISSEUR 24V/12V	X	X	X
65197	50	SHELF	CLAYETTE	X	X	X
65204	60	MALE PLUG	FICHE MALE	X	X	
66052	80	THERMOSTAT	THERMOSTAT	X	X	
67960	30	MALE PLUG	FICHE MALE			X
67966	30	DIODE	DIODE			X
70306	150	ELECTRIC CIRCUIT	CIRCUIT ELECTRIQUE	X	X	
70316	70	THERMAL JOINT COMPOUND	GRAISSE THERMO-CONDUCTRICE	X	X	X
70318	30	FUSE (x 2) 7A/250V (5x20)	FUSIBLE (x 2) 7A/250V (5x20)	X	X	X
73544	180	BRUSHLESS MOTOR	MOTEUR	X	X	X
73584	30	FUSE 1,6 AMP	FUSIBLE 1,6 AMPERE	X	X	X
201332	240	ACCESSORY CONVERTER 230V/12V	ACCESSOIRE TRANSFORMATEUR 230V/12V	X	X	X
201430	300	THERMO ELECTRIC ELEMENTS	ELEMENTS THERMO-ELECTRIQUES	X	X	X
201433	120	POWER CORD	CORDON	X	X	X