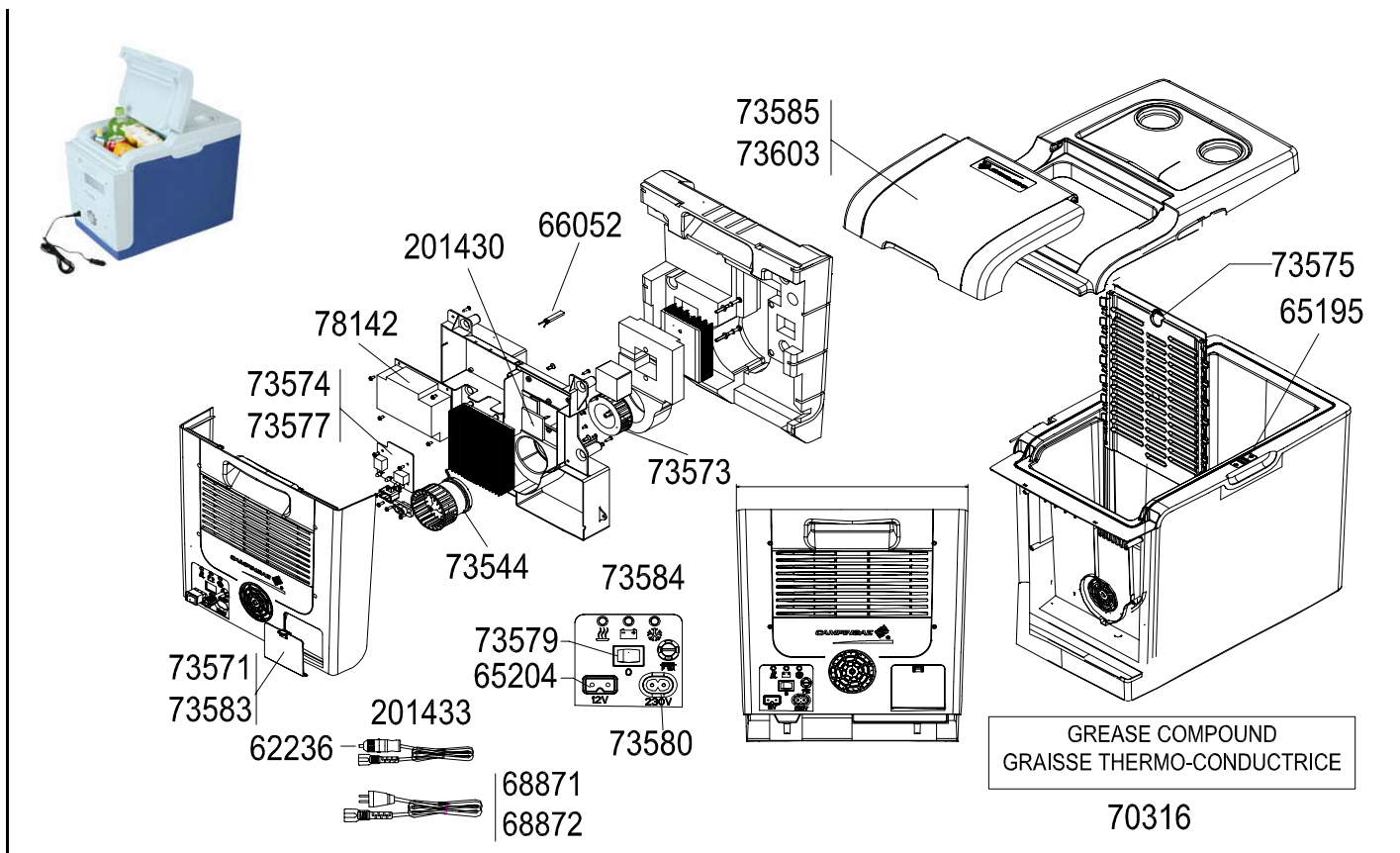


**THERMO-ELECTRIC COOLERS /
GLACIERES THERMO-ELECTRIQUES :
POWERBOX PLATINUM & DELUXE -
POWERCHILL 30 L**



REF.	POINTS	GB DESIGNATIONS	DESIGNATIONS F	PLATINUM	DELUXE	POWERCHILL
62236	30	FUSE (X2) 7A/250V (6x30)	FUSIBLE (X2) 7A/250V (6x30)	X	X	X
65195	50	LID LOCK	FERMETURE COUVERCLE	X	X	X
65204	60	MALE PLUG	FICHE MALE	X	X	X
66052	80	THERMOSTAT	THERMOSTAT	X	X	X
68871	120	POWER CORD 220 VOLTS AC	CORDON 220 VOLTS AC	X		
68872	120	POWER CORD 240 VOLTS AC - UK	CORDON 240 VOLTS AC - UK	X		
70316	70	THERMAL JOINT COMPOUND	GRAISSE THERMO-CONDUCTRICE	X	X	X
73544	180	BRUSHLESS MOTOR	MOTEUR	X	X	X
73571	50	FRONT DOOR - WHITE	PORTILLON AVANT - BLANC	X	X	
73573	50	PROPELLER	HELICE	X	X	X
73574	170	ELECTRIC PLATE	CIRCUIT ELECTRIQUE		X	X
73575	50	FULL SEPARATOR OBTURATOR	SEPARATEUR COMPLET	X	X	X
73577	180	ELECTRIC PLATE	CIRCUIT ELECTRIQUE	X		
73579	80	SWITCH	INTERRUPTEUR	X		
73580	50	SOCKET 230 VOLTS	PRISE 230 VOLTS	X		
73583	50	COMPARTMENT DOOR - BLUE	PORTILLON BLEU			X
73584	30	FUSE 1,6 AMP	FUSIBLE 1,6 AMPERE	X	X	X
73585	70	HATCH LID - WHITE	PASSE PLAT - BLANC	X	X	
73603	70	HATCH LID - BLUE	PASSE PLAT - BLEU			X
78142	380	TRANSFORMER 230/12V	TRANSFORMATEUR 230/12V	X		
201430	300	THERMO ELECTRIC ELEMENTS	ELEMENTS THERMO-ELECTRIQUES	X	X	X
201433	120	POWER CORD	CORDON	X	X	X
73582	70	PACKAGING	EMBALLAGE	X		
73581	70	PACKAGING	EMBALLAGE		X	