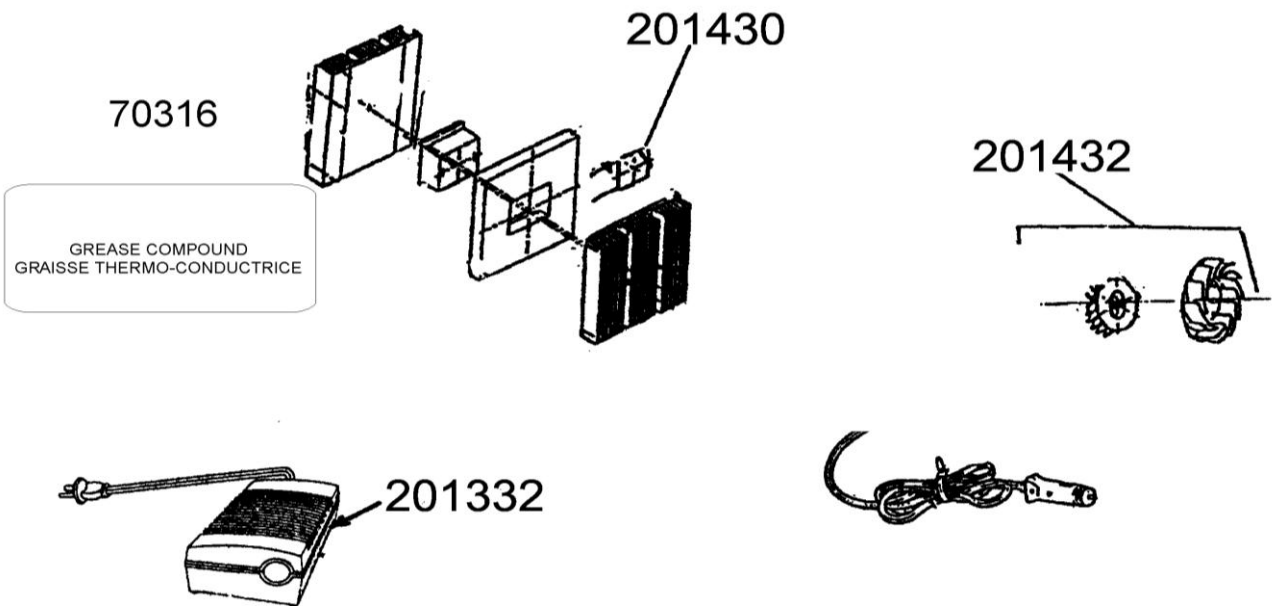


**THERMO-ELECTRIC COOLER
CT 240-12A (24 L)
GLACIERE THERMO-ELECTRIQUE 24 L**



REF.	POINTS	GB - DESIGNATIONS	DESIGNATIONS - F
70316	70	THERMAL JOINT COMPOUND	GRAISSE THERMO-CONDUCTRICE
201332	240	ACCESSORY CONVERTER 230V/12V	ACCESSOIRE TRANSFORMATEUR 230V/12V
201430	300	THERMO ELECTRIC ELEMENTS	ELEMENTS THERMO-ELECTRIQUES
201432	100	PROPELLER SET	ENSEMBLE HELICES