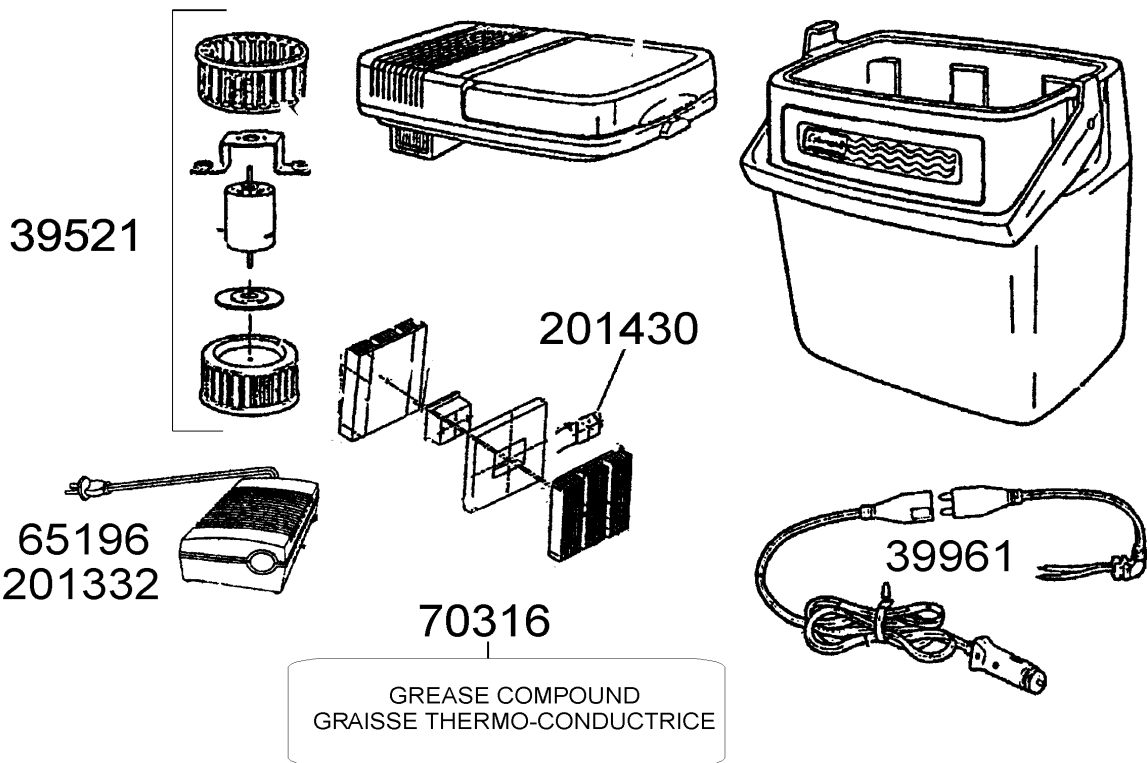


**THERMOELECTRIC COOLER
15 LITERS (5615)
GLACIERE THERMO-ELECTRIQUE 15L**



REF.	POINTS	GB - DESIGNATIONS	DESIGNATIONS - F
39521	190	FAN MOTOR+PROPELLERS	MOTEUR DE VENTILATEUR/HELICES
39961	220	POWER CORD	CORDON D'ALIMENTATION
65196	320	CONVERTER 24V/12V	CONVERTISSEUR 24V/12V
70316	70	THERMAL JOINT COMPOUND	GRAISSE THERMO-CONDUCTRICE
201332	240	ACCESSORY CONVERTER 230V/12V	ACCESSOIRE TRANSFORMATEUR 230V/12V
201430	300	THERMO ELECTRIC ELEMENTS	ELEMENTS THERMO-ELECTRIQUES