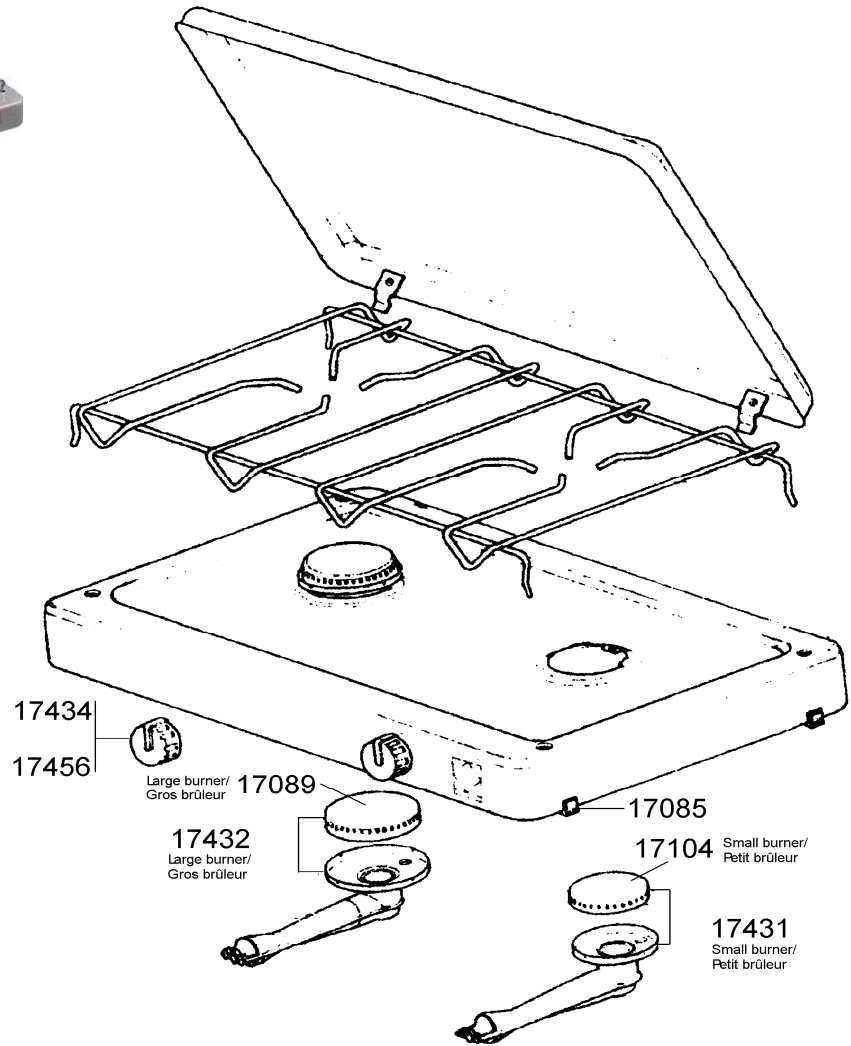


**DOUBLE BURNER STOVES
RECHAUDS 2 FEUX :
EDEN LUXE PA & EDEN 2500**



| REF. | POINTS | GB DESIGNATIONS | DESIGNATIONS F |
|-------|--------|---------------------|-----------------------|
| 17085 | 30 | FOOT -WHITE- (X4) | PIEDS -BLANC- (X4) |
| 17089 | 50 | BURNER CAP | CHAPEAU |
| 17104 | 30 | BURNER CAP | CHAPEAU |
| 17431 | 60 | CRIMPED BURNER &CAP | BRULEUR SERTI+CHAPEAU |
| 17432 | 60 | CRIMPED BURNER &CAP | BRULEUR SERTI+CHAPEAU |
| 17434 | 30 | KNOB (X2) WHITE | VOLANT (X2) BLANC |
| 17456 | 50 | KNOB (X2) NOIR | VOLANT (X2) NOIR |