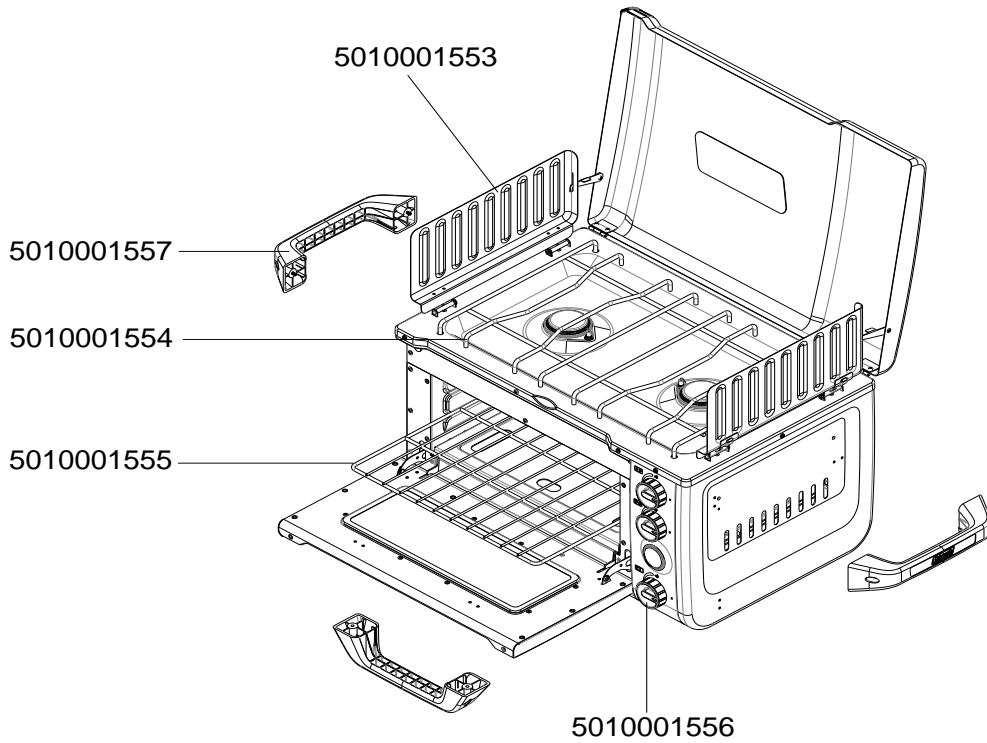


CAMP STOVE OVEN



REF .	POINTS	GB DESIGNATIONS	DESIGNATIONS F
5010001553	60	WINDSHIELDS (x2) + HINGES + AXLES	PAREVENT (x2) + CHARNIERES + AXES
5010001554	110	PAN SUPPORT	SUPPORT CASSROLE
5010001555	70	OVEN GRID	GRILLE FOUR
5010001556	30	KNOB (x3)	VOLANT (x3)
5010001557	80	HANDLE (x3) + SCREWS	POIGNES (x3) + VIS
5010001558	100	PACKAGING	EMBALLAGE