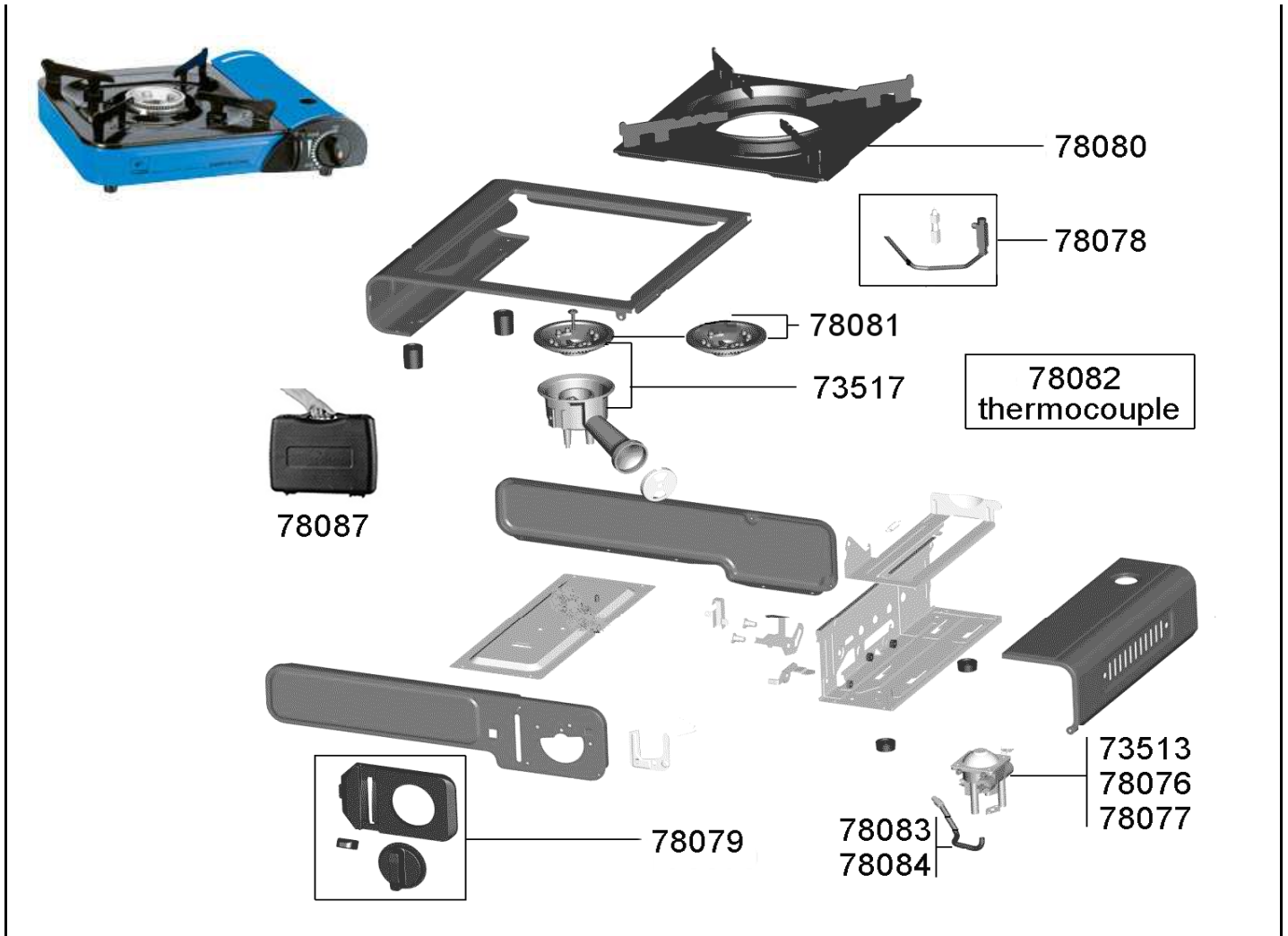


STOVE/RECHAUD :
CAMP BISTRO & CAMP BISTRO
MOD.2008



REF.	POINTS	GB - DESIGNATIONS	DESIGNATIONS - F -	CAMP BISTRO	CAMP BISTRO MOD.2008
73513	100	VALVE	ROBINET	X	
73517	70	VENTURI + TOP BURNER	VENTURI + CHAPEAU	X	
78076	100	VALVE	VALVE		X
78077	100	VALVE FSD	ROBINET FSD		X
78078	60	ELECTRODE + WIRE + PIEZO	ELECTRODE + FIL + PIEZO		X
78079	50	LEVER + FRONT PANEL + KNOB	LEVIER + CACHE FRONTAL + VOLANT		X
78080	90	PAN SUPPORT	SUPPORT CASSEROLE		X
78081	50	TOP BURNER	CHAPEAU DE BRULEUR		X
78082	100	THERMOCOUPLE	THERMOCOUPLE		X
78083	100	GAS PIPE (MOD. WITHOUT SAFETY DEVICE)	TUBE GAZ (MOD. SANS SECURITE)		X
78084	100	GAS PIPE (MOD.WITH SAFETY DEVICE)	TUBE GAZ (MOD. AVEC SECURITE)		X
78087	80	CARRY CASE	MALLETTE		X
78085	100	PACKAGING (MOD. WITHOUT SAFETY DEVICE)	EMBALLAGE (MOD. SANS SECURITE)		X
78086	100	PACKAGING (MOD. WITH SAFETY DEVICE)	EMBALLAGE (MOD. AVEC SECURITE)		X