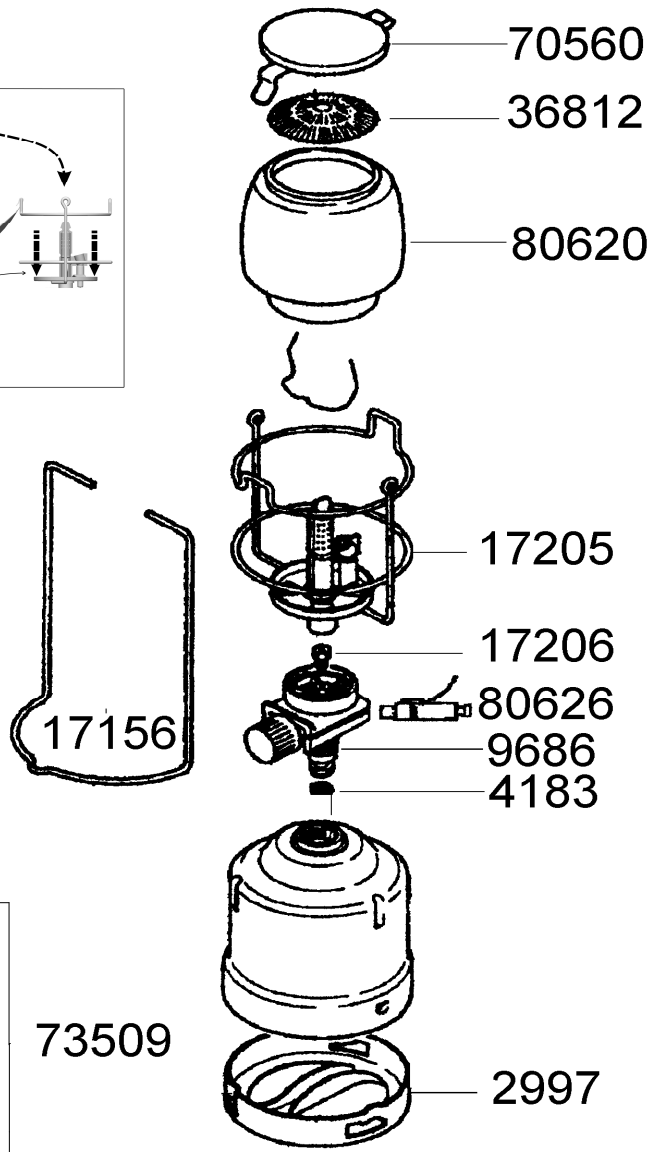
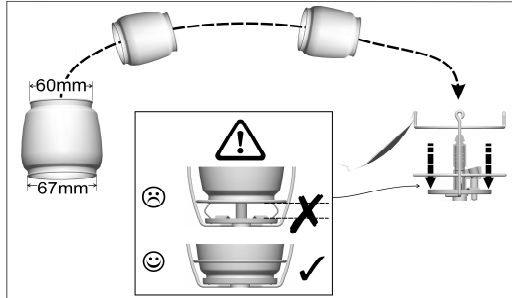


# SUPER LUMOGAZ PZ 206



REF.	POINTS	DESIGNATIONS	DESIGNATIONS
2997	70	BAYONET BASE	SOCLE
4183	90	PISTON WASHER (X20)	JOINT ANTI FUIITE PISTON (X20)
9686	102	TAP	ROBINET
17156	50	STIRRUP HANDLE	ANSE
17205	140	BURNER WITH GUARD - PZ MOD	CAGE MONTEE MOD. PZ
17206	50	JET	INJECTEUR
36812	40	ACCESSORY MANTLE SIZE S (X3)	ACCESSOIRE MANCHON TAILLE S (X3)
70560	50	CAP	CHAPEAU
73509	80	CARTRIDGE HOLDER + BASE	CLOCHE COMPLETE
80620	100	ACCESSORY GLOBE - SIZE M	ACCESSOIRE VERRE - TAILLE M
80626	110	PIEZO + BUTTON	PIEZO + BOUTON
82138	50	PACKAGING EUR2	EMBALLAGE EUR2