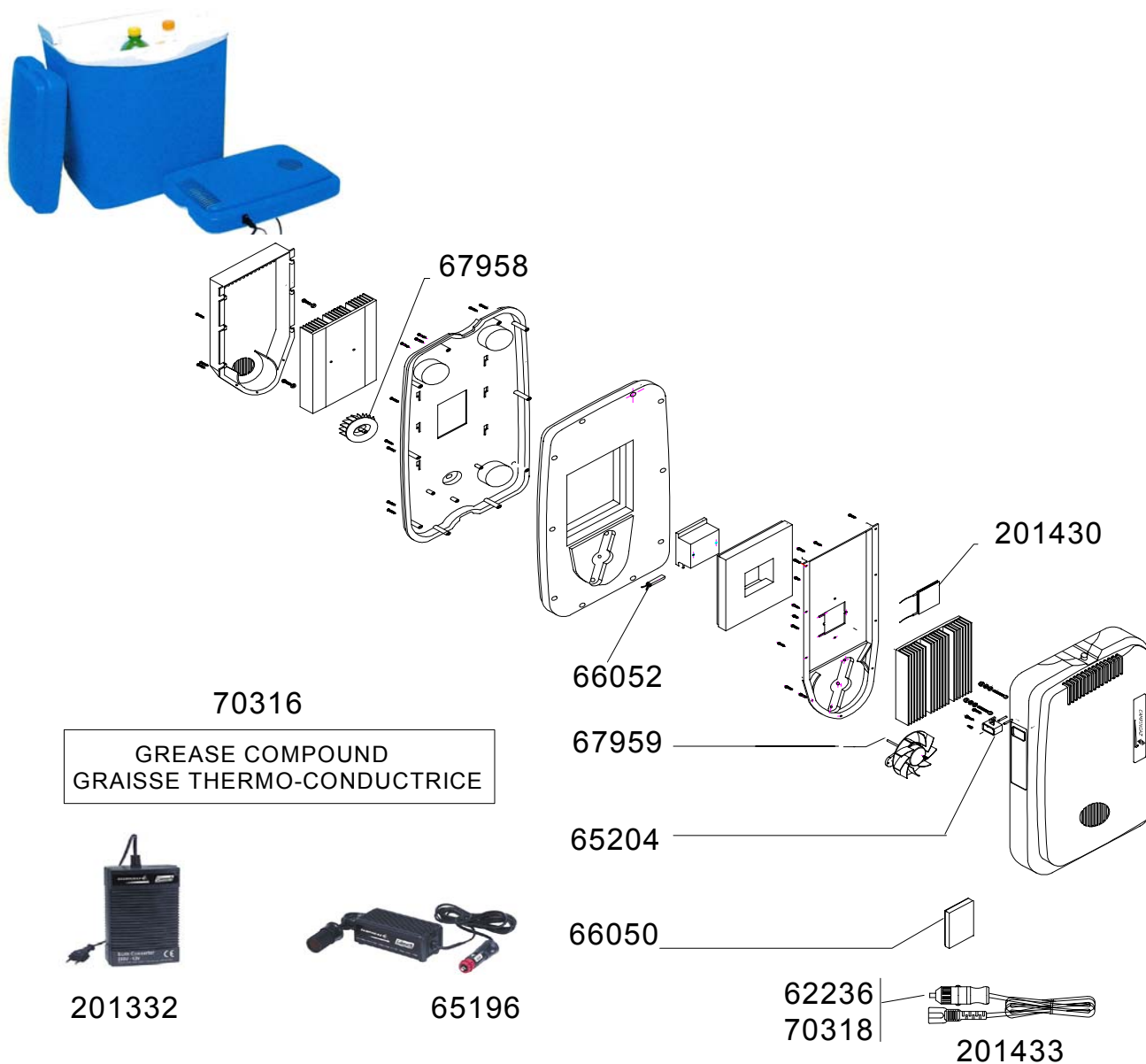


**THERMO-ELECTRIC COOLER
POWERCHILL TE 28
GLACIERE THERMO-ELECTRIQUE
ICETIME TE 28 - MOD. 2002/03**



The Outdoor Company™



REF.	POINTS	GB DESIGNATIONS	DESIGNATIONS F
62236	30	FUSE (X2) 7A/250V (6x30)	FUSIBLE (X2) 7A/250V (6x30)
65196	320	CONVERTER 24V/12V	CONVERTISSEUR 24V/12V
65204	60	MALE PLUG	FICHE MALE
66050	130	ELECTRIC PLATE	CIRCUIT ELECTRIQUE
66052	80	THERMOSTAT	THERMOSTAT
67958	30	SMALL PROPELLER	PETITE HELICE
67959	100	BRUSHLESS MOTOR	MOTEUR
70316	70	THERMAL JOINT COMPOUND	GRAISSE THERMO-CONDUCTRICE
70318	30	FUSE (x 2) 7A/250V (5x20)	FUSIBLE (x 2) 7A/250V (5x20)
201332	240	ACCESSORY CONVERTER 230V/12V	ACCESSOIRE TRANSFORMATEUR 230V/12V
201430	300	THERMO ELECTRIC ELEMENTS	ELEMENTS THERMO-ELECTRIQUES
201433	120	POWER CORD	CORDON