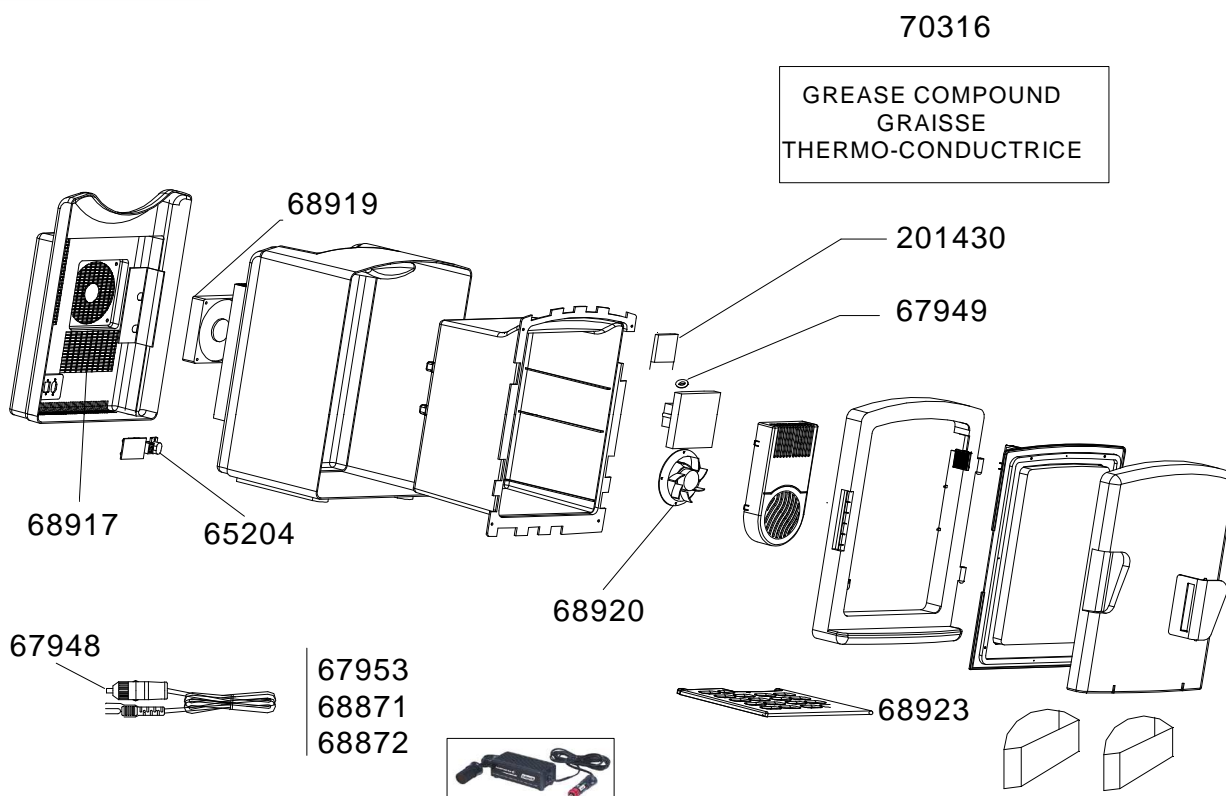


THERMO-ELECTRIC COOLER / GLACIERE THERMO-ELECTRIQUE: FRIBORG TE 20 AC/DC



REF.	POINTS	GB DESIGNATIONS	DESIGNATIONS F
65204	60	MALE PLUG	FICHE MALE
67948	20	8 AMP. FUSE	FUSIBLE 8 AMP.
67949	60	THERMOSTATE	THERMOSTAT
67953	110	POWER CORD - 12 VOLTS	CORDON 12 VOLTS
68871	120	POWER CORD 220 VOLTS AC	CORDON 220 VOLTS AC
68872	120	POWER CORD 240 VOLTS AC - UK	CORDON 240 VOLTS AC - UK
68917	300	LARGE ELECTRIC PLATE	CIRCUIT ELECTRIQUE
68919	110	LARGE FAN DEVICE	GROS VENTILATEUR
68920	60	SMALL FAN DEVICE	PETIT VENTILATEUR
68923	50	UPPER SHELF	CLAYETTE SUPERIEURE
70316	70	THERMAL JOINT COMPOUND	GRAISSE THERMO-CONDUCTRICE
201430	300	THERMO ELECTRIC ELEMENTS	ELEMENTS THERMO-ELECTRIQUES