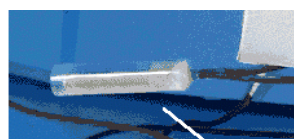


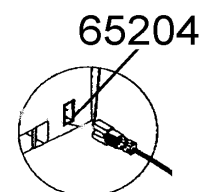
**CT 280-12 POWERCHILL / ICETIME 28L & 24L  
CT 280-12 / ICETIME 28L & 24L  
MOD. 2001 & PREVIOUS-ANTERIEURS**



66052

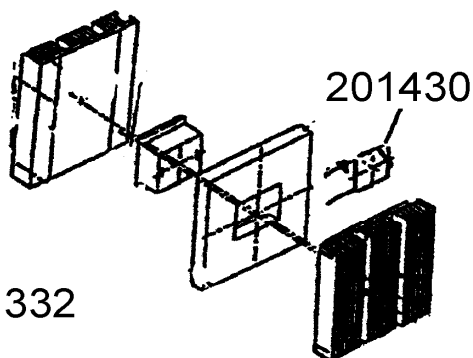
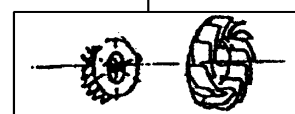


201433



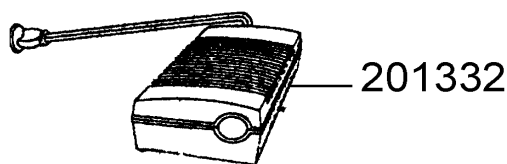
65204

201432



201430

70316



201332

GREASE COMPOUND  
GRAISSE THERMO-CONDUCTRICE

REF.	POINTS	GB - DESIGNATIONS	DESIGNATIONS - F
62236	30	FUSE (X2) 7A/250V (6x30)	FUSIBLE (X2) 7A/250V (6x30)
65204	60	MALE PLUG	FICHE MALE
66050	130	ELECTRIC PLATE	CIRCUIT ELECTRIQUE
66052	80	THERMOSTAT	THERMOSTAT
70316	70	THERMAL JOINT COMPOUND	GRAISSE THERMO-CONDUCTRICE
70318	30	FUSE (x2) 7A/250V (5x20)	FUSIBLE (x2) 7A/250V (5x20)
201332	240	ACCESSORY CONVERTER 230V/12V	ACCESSOIRE TRANSFORMATEUR 230V/12V
201430	300	THERMO ELECTRIC ELEMENTS	ELEMENTS THERMO-ELECTRIQUES
201432	100	PROPELLER SET	ENSEMBLE HELICES
201433	120	POWER CORD	CORDON