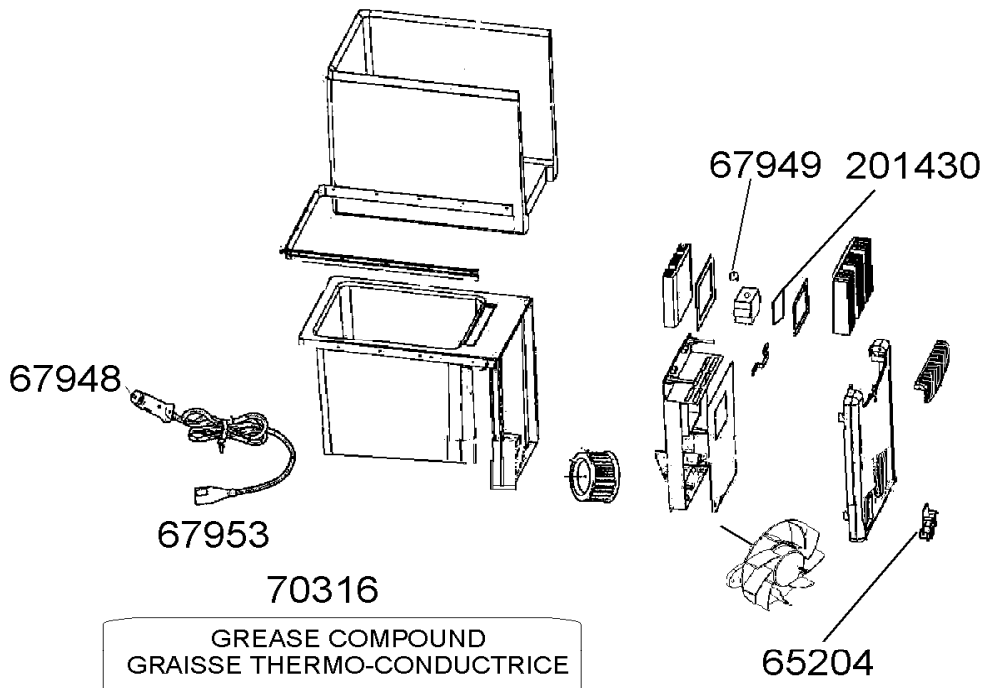


**THERMO-ELECTRIC COOLER :  
GLACIERE THERMO-ELECTRIQUE:  
COOL TRIP 08**



**201332**



REF.	POINTS	GB DESIGNATIONS	DESIGNATIONS F
65204	60	MALE PLUG	FICHE MALE
67948	20	8 AMP. FUSE	FUSIBLE 8 AMP.
67949	60	THERMOSTATE	THERMOSTAT
67953	110	POWER CORD - 12 VOLTS	CORDON 12 VOLTS
70316	70	THERMAL JOINT COMPOUND	GRAISSE THERMO-CONDUCTRICE
201332	240	ACCESSORY CONVERTER 230V/12V	ACCESSOIRE TRANSFORMATEUR 230V/12V
201430	300	THERMO ELECTRIC ELEMENTS	ELEMENTS THERMO-ELECTRIQUES