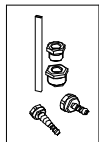


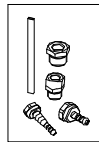
**PATIO HEATERS/PARASOLS CHAUFFANTS :
 SUN FORCE - SUN FORCE L &
 SUN FORCE + - SUN FORCE + L & ADVANTAGE -
 ADVANTAGE DELUXE**



70287



72036



72037



68964

LOCTITE REF REQUIRED FOR FASTENING IN POSITION + GAS TIGHTNESS OF GAS CONNECTION KITS
 LOCTITE REF EXIGEE POUR ASSURER PARFAITEMENT LE BLOCAGE ET L'ETANCHEITE DES KITS RACCORDEMENT GAZ

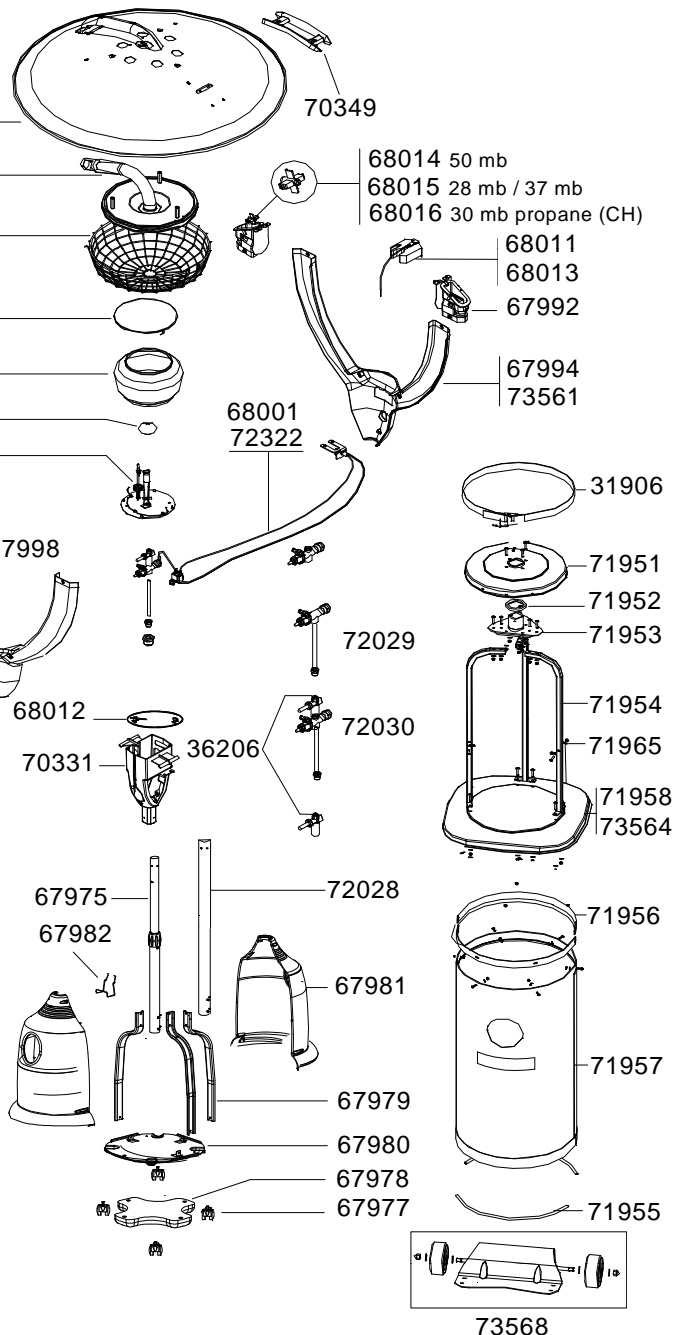
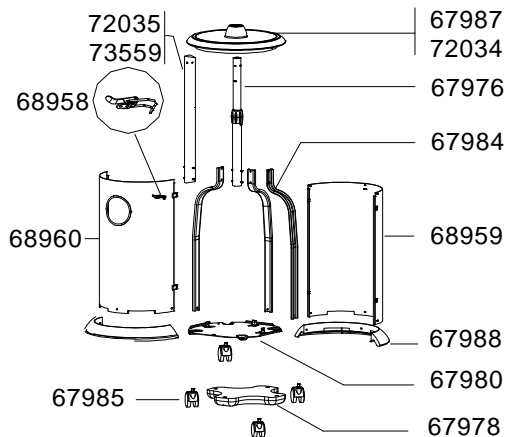
71984

SCREW BAG
 SACHET DE VISSERIE

67983
 67990
 73566

JET / INJECTEUR
 36206

67993
 73560
 73562
 68002
 73563



**PATIO HEATERS/PARASOLS CHAUFFANTS :
SUN FORCE - SUN FORCE L &
SUN FORCE + - SUN FORCE + L & ADVANTAGE -
ADVANTAGE DELUXE**



REF.	POINTS	GB - DESIGNATIONS	DESIGNATIONS - F -	SUN FORCE	SUN FORCE L	SUN FORCE +	SUN FORCE + L	SUN FORCE ADVANTAGE	SUN FORCE ADVANTAGE DELUXE
31906	30	CYLINDER STRAP	SANGLE BOUTEILLE					X	X
36206	50	JET	INJECTEUR		X		X		X
36813	50	ACCESSORY MANTLE M SIZE (X 3)	ACCESSOIRE MANCHON TAILLE M (X 3)		X		X		X
66645	180	GLOBE LANTERN	VERRE LANTERNE		X		X		X
67975	280	COMPLETE TUBE - OLD MODEL	TUBE COMPLET - ANCIEN MODELE	X	X				
67976	280	COMPLETE TUBE - OLD MODEL	TUBE COMPLET - ANCIEN MODELE			X	X		
67977	60	SET OF WHEELS (x 2)	ENSEMBLE ROUES (x 2)	X	X				
67978	100	COUNTER WEIGHT	CONTREPOIDS	X	X	X	X	X	X
67979	70	METAL STRAP	ARCEAU	X	X			X	X
67980	180	BASE	SOCLE	X	X	X	X	X	X
67981	280	CYLINDER HOUSING	CACHE BOUTEILLE	X	X			X	X
67982	30	HOOK	CROCHET	X	X			X	X
67983	80	SCREW BAG	SACHET DE VISSERIE	X	X				
67984	80	STRAP	ARCEAU			X	X		
67985	80	SET OF WHEELS (X 2)	ENSEMBLE ROUES (x 2)			X	X		
67987	110	UPPER PART OF HOUSING	TABLETTE SUPERIEURE			X	X		
67988	90	HALF LOWER PLASTIC PART	1/2 SOCLE PLASTIQUE			X	X		
67990	80	SCREW BAG	SACHET DE VISSERIE			X	X		
67991	500	REFLECTOR	REFLECTEUR	X	X	X	X	X	X
67992	110	ARTICULATION SET	ENSEMBLE ARTICULATION	X	X	X	X	X	X
67993	170	ARM FRONT HOUSING (GREEN)	DEMI COQUE AVANT - Y (VERT)	X	X	X	X		
67994	170	ARM BACK HOUSING (GREEN)	DEMI COQUE ARRIERE - Y (VERT)	X	X	X	X		
67996	850	BURNER + CROSS PIECES	BRULEUR + ENTRETOISES	X	X	X	X	X	X
67997	80	SAFETY GRID	GRILLE DE PROTECTION	X	X	X	X	X	X
67998	80	SEMPERIT HOSE	TUYAU SEMPERIT	X	X	X	X	X	X
68001	260	THERMOCOUPLE + ELECTRODE (OLD)	THERMOCOUPLE + ELECTRODE (ANCIEN)	X	X	X	X		
68002	30	KNOB (X2) - GREEN	VOLANT (X 2) - VERT	X	X	X	X		
68008	190	LANTERN BURNER	BRULEUR LANTERNE		X		X		X
68009	70	LANTERN CAP	CHAPEAU DE LANTERNE		X		X		X
68011	160	IGNITOR WITH CONNECTION WIRE	MODULE ALLUMAGE AVEC FIL CONNECTION	X	X	X	X	X	
68012	50	SCREEN COVER	CHAPEAU OBTURATION	X		X			
68013	190	IGNITOR WITH CONNECTION WIRE	MODULE ALLUMAGE AVEC FIL CONNECTION	X		X			X
68014	50	JET + JET HOLDER	INJECTEUR + PORTE INJECTEUR	X	X	X	X	X	X
68015	50	JET + JET HOLDER	INJECTEUR + PORTE INJECTEUR	X	X	X	X	X	X
68016	50	JET + JET HOLDER	INJECTEUR + PORTE INJECTEUR	X	X	X	X	X	X
68958	60	WIND BORE LOCK	GRENOUILLERE			X	X		
68959	230	BACK HOUSING - EYE LOCK	CACHE ARRIERE - FERMETURE ANNEAU			X	X		
68960	260	FRONT HOUSING - EYE LOCK	CACHE AVANT - FERMETURE ANNEAU			X	X		
68964	100	CONNECTION KIT 1/4" - OLD MODEL	KIT RACCORDEMENT 1/4"-ANCIEN MODELE	X	X	X	X		
70287	130	COVER FOR BASE	HOUSSE POUR BASE			X	X		
70331	240	ALUMINIUM HOLDER	SUPPORT ALUMINIUM	X	X	X	X	X	X
70349	60	HANDLE	POIGNEE	X	X	X	X	X	X
71951	140	UPPER SHELF	TABLETTE SUPERIEURE					X	X
71952	40	UPPER SHELF SPACER	ENTRETOISE TABLETTE SUPERIEURE					X	X

**PATIO HEATERS/PARASOLS CHAUFFANTS :
SUN FORCE - SUN FORCE L &
SUN FORCE + - SUN FORCE + L & ADVANTAGE -
ADVANTAGE DELUXE**



REF.	POINTS	GB - DESIGNATIONS	DESIGNATIONS - F -	SUN FORCE	SUN FORCE L	SUN FORCE +	SUN FORCE + L	SUN FORCE ADVANTAGE	SUN FORCE ADVANTAGE DELUXE
71953	70	TUBE HOLDER	SUPPORT TUBE					X	X
71954	80	"L" BRACKET	ETRIER EN "L"					X	X
71955	60	BALLAST ROD	BALEINE LEST					X	X
71956	60	HALF CURTAIN ROD	DEMI TRINGLE SUPERIEURE					X	X
71957	120	TEXTILE DRESSING	JUPE TEXTILE					X	X
71958	240	BASE	SOCLE					X	
71965	50	SAFETY CHAIN	CHAINE					X	X
71984	290	LOCTITE GLUE (10 ml)	LOCTITE (10 ml)	X	X	X	X	X	X
72028	160	NON TELESCOPIC TUBE	TUBE NON TELESCOPIQUE	X	X				
72029	230	TAP SUB ASSEMBLY - MOD 2005	ROBINET COMPLET - MOD 2005	X		X		X	
72030	190	TAP SUB ASSEMBLY - MOD 2005	ROBINET COMPLET - MOD 2005		X		X		X
72034	110	UPPER PART OF HOUSING - MOD 2005	TABLETTE SUPERIEURE - MOD 2005			X	X		
72035	160	NON TELESCOPIC TUBE	TUBE NON TELESCOPIQUE			X	X		
72036	190	CONNECTION KIT 1/2" & EXPORT - MOD	KIT DE RACCORDEMENT 1/2" & EXPORT - MOD	X	X	X	X	X	X
72037	190	CONNECTION KIT 1/4" MOD 2005	KIT RACCORDEMENT 1/4" MOD 2005	X	X	X	X	X	X
72322	270	THERMOCOUPLE + ELECTRODE (FLAT	THERMOCOUPLE + ELECTRODE (COSSE	X	X	X	X	X	X
73559	200	NON TELESCOPIC TUBE	TUBE NON TELESCOPIQUE					X	X
73560	170	ARM FRONT HOUSING (SILVER)	DEMI COQUE AVANT - Y (ARGENT)					X	X
73561	170	ARM BACK HOUSING (SILVER)	DEMI COQUE ARRIERE - Y (ARGENT)					X	X
73562	170	ARM FRONT HOUSING (SILVER)	DEMI COQUE AVANT - Y (ARGENT)						X
73563	30	KNOB (x 2)	VOLANT (x 2)					X	X
73564	250	BASE (FOR WHEELS)	SOCLE (POUR ROULETTES)						X
73566	60	SCREW BAG	SACHET DE VIS					X	X
73568	230	HOLDER WITH WHEELS + NUTS (X 2)	SUPPORT AVEC ROULETTES + ECROUS (X 2)						X
72038	160	PACKAGING - MOD 2005	EMBALLAGE -MOD 2005	X	X	X	X		
73588	170	PACKAGING	EMBALLAGE					X	