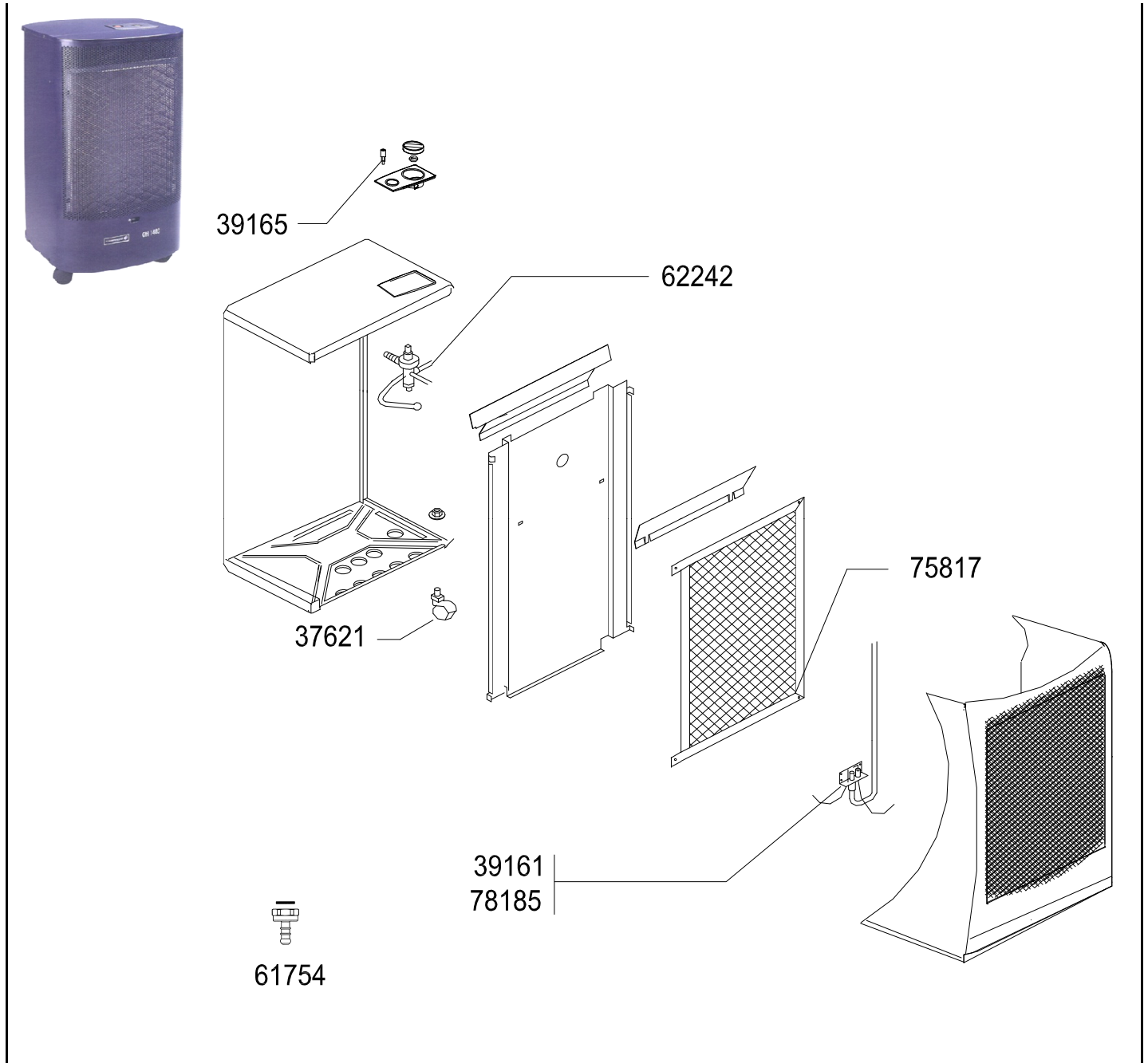


**CATALYTIC HEATER /
CHAUFFAGE CATALYTIQUE :
MINI ELZO**



REF.	POINTS	GB - DESIGNATIONS	DESIGNATIONS - F -
37621	50	WHEEL (X2)	ROUE (X2)
39161	150	GAS STOP DEVICE (FOR MALE CONNECTOR)	VEILLEUSE & THERMOCOUPLE (POUR RACCORD
39165	50	PIEZO IGNITER	PIEZO
61754	50	SCREWED ADAPTATOR + WASHER	ADAPTATEUR TETINE VISSE +JOINT
62242	170	SAFETY VALVE	VANNE DE SECURITE
75817	315	CATALYTIC PANEL	PANNEAU CATALYTIQUE MINI ELZO
78185	150	GAS STOP DEVICE (FOR FEMALE CONNECTOR)	VEILLEUSE & THERMOCOUPLE (POUR RACCORD
			FEMELLE)